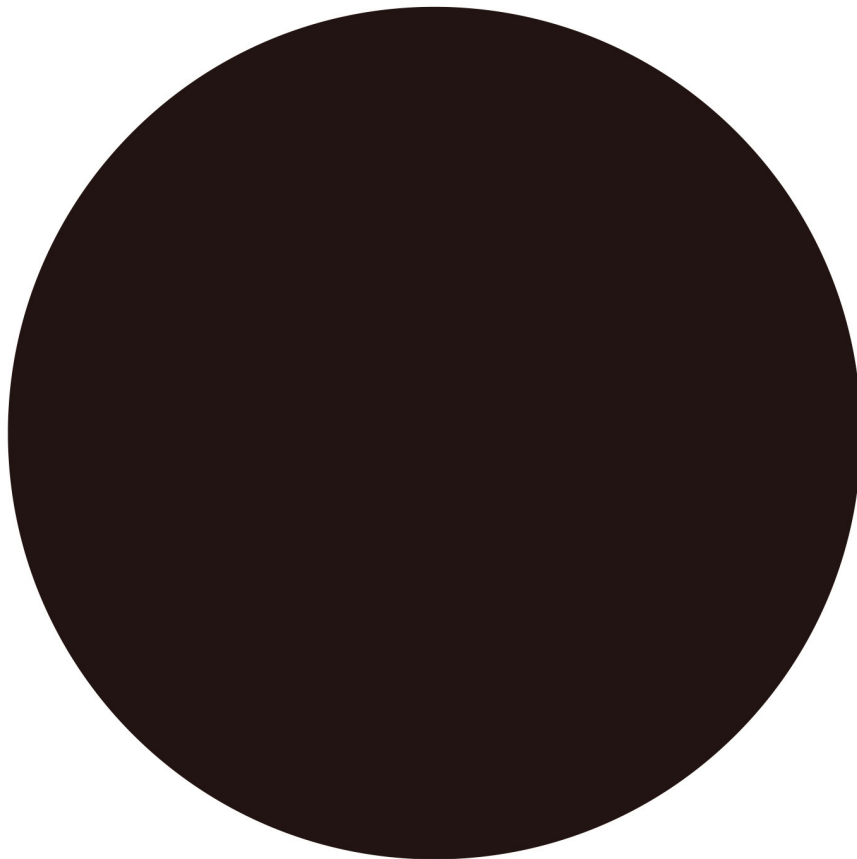


**TEK+ Electronic ApS**

**POSDER<sup>®</sup>**



**Electrical Wire**  
***TERMINALS and CONNECTORS***



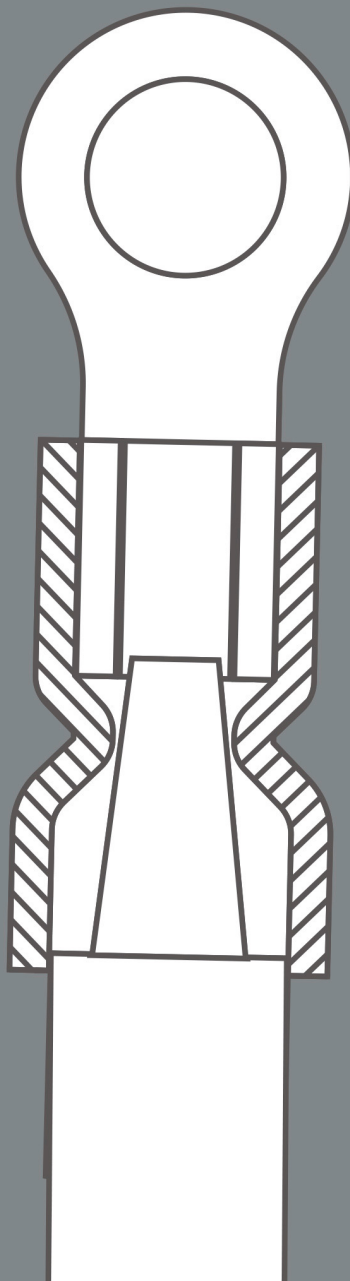
# POSDER<sup>®</sup>

Wenzhou POSDER Technology Co., Ltd.



**TEK+ Electronic ApS**
















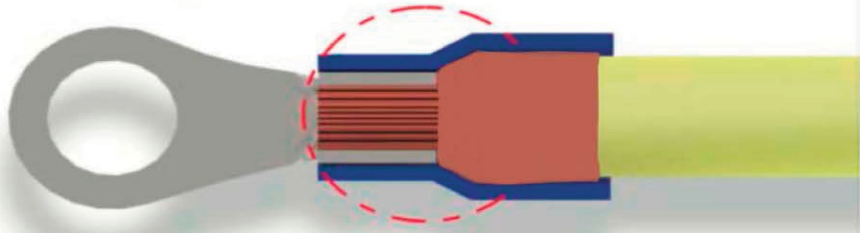
# QUALIFICATION



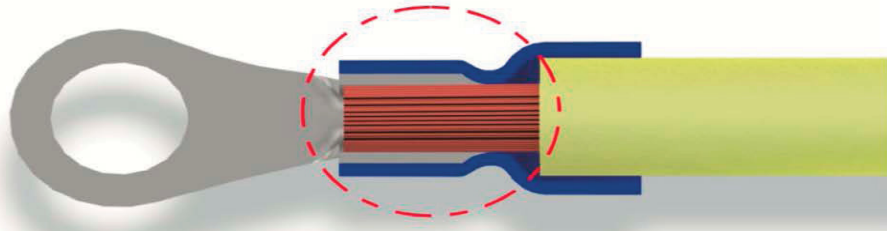
# OVERVIEW

 <p><b>END TERMINALS TWIN END TERMINALS</b></p>	 <p><b>RING TERMINALS</b></p>	 <p><b>FORK TERMINALS</b></p>
 <p><b>BLADE TERMINALS</b></p>	 <p><b>PIN TERMINALS</b></p>	 <p><b>HOOK TERMINALS</b></p>
 <p><b>TABS and RECEPTACLES MULTIPLE TABS</b></p>	<p><a href="http://WWW.TEK-TOOLS.DK">WWW.TEK-TOOLS.DK</a></p>	 <p><b>BULLETS and SOCKETS</b></p>
 <p><b>THROUGH CONNECTORS PARALLEL CONNECTORS</b></p>	 <p><b>TUBE TERMINALS</b></p>	 <p><b>ASSORTMENT BOXES</b></p>

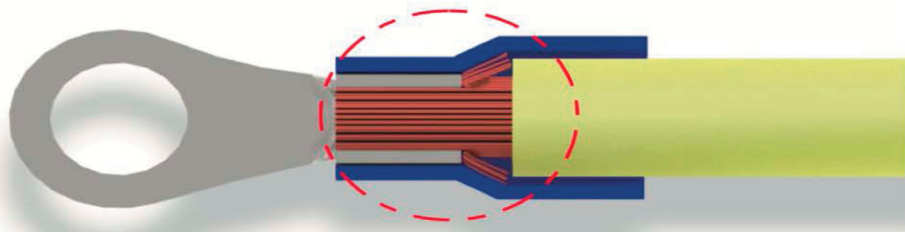
✓ Extra Copper Sleeve (ECS)



✓ Easy Entry (EE)



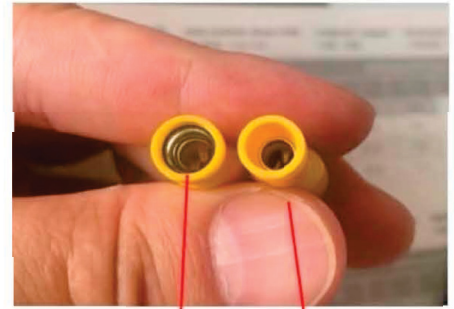
✓ Standard





# Terminals Introduction

## INTRODUCTION 1 - ITEMS CODE EXPLAINED



Extra Copper Sleeve (ECS)      Standard

## INTRODUCTION 2

<b>RV</b>	Ring Terminals	<b>BN</b>	Through Connectors, Un-insulated
<b>SV</b>	Fork Terminals	<b>BNYF</b>	Through Connectors, Fully Insulated
<b>RE</b>	Ring Terminals (Easy Entry (EE))	<b>MD</b>	Tabs
<b>SE</b>	Fork Terminals (Easy Entry (EE))	<b>FD</b>	Receptacles
<b>LS</b>	Fork Terminals, Lock	<b>MP</b>	Bullets
<b>FS</b>	Fork Terminals, Flanged	<b>FR</b>	Sockets, Fully Insulated
<b>PT</b>	Pin Terminals	<b>FD</b>	Receptacles, Fully Insulated
<b>PTE</b>	Ring Terminals (Easy Entry (EE))	<b>PBD</b>	Multiple Tabs
<b>DB</b>	Blade Terminals	<b>FLD</b>	Receptacles, Flanged, Fully insulated
<b>LB</b>	Blade Terminals, Lipped	<b>HV</b>	Hook Terminals
		<b>BV</b>	Parallel Connectors, Fully Insulated

## INTRODUCTION 3 - WIRE SIZES

Wire	Wire Range	American Standard(A.W.G)
1.25	0.5-1.5	22-16
2	1.5-2.5	16-14
3.5	2.5-4	14-12
5.5	4-6	12-10
8	6-10	8
14	10-16	6
22	16-25	4
38	25-35	2
60	50-70	1/0
70	70-95	2/0
80	95-120	3/0
100	120-150	4/0
150	150-185	250/300MCM
180	185-240	300/350MCM
200	240-300	400/500MCM
325	300-400	500/600MCM

## INTRODUCTION 4 - STUD SIZES

Stud Size(mm)	American Standard(mm)	Stud Size(mm)	American Standard(mm)
3.2	#4	13.0	1/2
3.7	#6	15.0	9/16
4.3	#8	17.0	5/8
5.3	#10	18.0	11/16
6.4	1/4	21.0	3/4
8.4	5/16	23.0	7/8
10.5	3/8	25.0	15/16
11.0	7/8	28.0	1

# Terminals Introduction

## Pre-insulated End Terminals (ferrules)



Pre-insulated End and TWIN End Terminals and Un-insulated End Terminals are manufactured from plated, electrolytic 99.95% copper tubes. The end terminals have dimension in accordance with DIN 46228. The pre-insulated sleeves material are made of Nylon, PVC or PP. The colours of the insulated sleeve have different variation depending of the standard used: French (Telemecanique-T), German (Weidmuller-W), German (DIN46228)

## Pre-insulated Terminals and Connectors

Ring, Fork, Pin Terminals are made of high class copper 99.95% Tabs, Bullets, Sockets are made of brass or tin-bronze. All terminals and connectors are then electrolytically tin-plated for corrosion protection. The terminals neck is brazed and annealed, means it can be crimped in any direction.

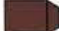


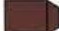


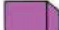









































The metal in Receptacles neck is double foldet known as Rolled Type (RT) The finished terminals has excellent strength and low resistance. Terminals are divided in three categories: Standard, Extra Copper Sleeve (ECS) and Easy Entry (EE). Each of them have ther own property, quality and usage. Insulated sleeve material are usual made from Nylon, PVC or PP. Extra Copper Sleeve (ECS) - are standard terminals with an extra copper sleeve that add support for crimping, connectivity and durability. Easy Entry (EE) - have a conical shape for and when a perfect connection its required, for example to a screw termianls block.

The colours of the insulated sleve indicate the cross-section area that the terminal is intended for.

	Light yellow sleeve	0.1 - 0.5 mm <sup>2</sup>
	Green sleeve*	0.25 - 0.75 mm <sup>2</sup>
	Red sleeve	0.5 - 1.5 mm <sup>2</sup>
	Blue sleeve	1.5 - 2.5 mm <sup>2</sup>
	Yellow sleeve	4 - 6 mm <sup>2</sup>

\* or transparent white

# Colour code for Pre-insulated End and TWIN End Terminals

CONDUCTOR SIZE mm <sup>2</sup>	FRENCH Telemecanique - T		GERMAN Weidmüller - W		GERMAN DIN 46228	
		COLOUR		COLOUR		COLOUR
0.14		BROWN		GREY		GREY
0.25		VIOLET		LIGHT BLUE		YELLOW
0.34		PINK		TURQUOISE		TURQUOISE
0.5		WHITE		ORANGE		WHITE
0.75		LIGHT BLUE		WHITE		GREY
1.00		RED		YELLOW		RED
1.50		BLACK		RED		BLACK
2.50		GREY		BLUE		BLUE
4.00		ORANGE		GREY		GREY
6.00		GREEN		BLACK		YELLOW
10.00		BROWN		IVORY		RED
16.00		IVORY		GREEN		BLUE
25.00		BLACK		BROWN		YELLOW
35.00		RED		BEIGE		RED
50.00		BLUE		OLIVE		BLUE



# CONTENT

www.tek-tools.dk



P01-02



P03



P04-05



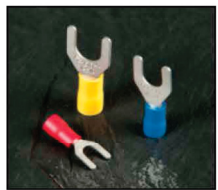
P07-10



P11-12



P13-20



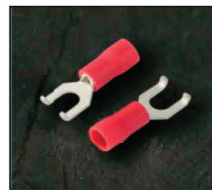
P21-24



P25-26



P27-28



P29



P30



P31



P32



P33



P34



P35



P36



P37-38



P39



P40



P41



P42



P42



P43



P44



P45



P46-47



P48-49



P50



P51



P52



P53



P54



P55



P55



P56-57



P58-59



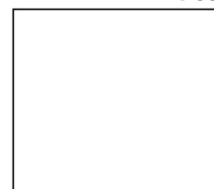
P60



P60



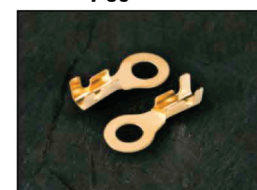
P61



P61



P62



P63



P64



P65-66





# End Terminals (ferrules) TWIN End Terminals



## Pre-insulated End Terminals



Temp: 105°C    Max voltage  $U_i=300V$     Material: copper    Insulating material: pvc / nylon (colors)

ITEM NO	Dimension (mm)						Cable size (mm <sup>2</sup> )	Color (1) German (2) French
	F	L	W	D φ	C φ	A.W.G		
E 0206	6.0	10.4	2.5	1.0	0.7	# 26	0.25	Light Blue
E 0208	8.0	12.4						
E 0306	6.0	10.4	2.5	1.1	0.8	# 24	0.34	Turquoise
E 0308	8.0	12.4						
E 0506	6.0	12.4	2.6	1.3	1.0	# 22	0.5	Orange (1) White (2)
E 0508	8.0	14.4						
E 0510	10.0	16.4						
E 0512	12.0	18.4						
E 7506	6.0	12.4	2.8	1.6	1.3	# 20	0.75	White (1) Blue (2)
E 7508	8.0	14.4						
E 7510	10.0	16.4						
E 7512	12.0	18.4						
E 1006	6.0	12.4	3.0	1.8	1.5	# 18	1.0	Yellow (1) Red (2)
E 1008	8.0	14.4						
E 1010	10.0	16.4						
E 1012	12.0	18.4						
E 1508	8.0	14.4	3.5	2.1	1.8	# 16	1.5	Red (1) Black (2)
E 1510	10.0	16.4						
E 1512	12.0	18.4						
E 1518	18.0	24.4						
E 2508	8.0	15.2	4.0	2.6	2.3	# 14	2.5	Blue (1) Gray (2)
E 2510	10.0	17.2						
E 2512	12.0	19.2						
E 2518	18.0	25.2						

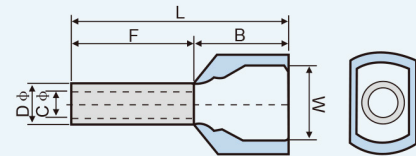
# Pre-insulated End Terminals



Temp: 105°C    Max voltage  $U_i=300V$     Material: copper    Insulating material: pvc / nylon (colors)

ITEM NO	Dimension (mm)						Cable size (mm <sup>2</sup> )	Color	
	F	L	W	D φ	C φ	A.W.G		(1) German	(2) French
E 4009	9.0	17.0	4.8	3.2	2.8	# 12	4.0	Gray	(1)
E 4012	12.0	20.0							(2)
E 4018	18.0	26.0							(2)
E 6010	10.0	18.0	6.1	3.9	3.5	# 10	6.0	Black	(1)
E 6012	12.0	20.0							(2)
E 6018	18.0	26.0							(2)
E 10-12	12.0	21.5	7.4	4.9	4.5	# 7	10.0	Milk	(1)
E 10-18	18.0	27.5							(2)
E 16-12	12.0	22.2	8.8	6.2	5.8	# 5	16.0	Green	(1)
E 16-18	18.0	28.2							Milk
E-25-16	16.0	28.0	11.0	7.9	7.5	# 4	25.0	Brown	(1)
E 25-22	22.0	34.0							Black
E 35-16	16.0	30.0	12.7	8.7	8.3	# 2	35.0	Gray	
E 35-25	25.0	39.0							
E 50-20	20.0	36.0	15.3	10.9	10.3	# 1	50.0	Olive	
E 50-25	25.0	41.0							
E70-20	20.0	37.0	16.0	14.3	13.5	2/*0	70	Yellow	
E70-25	25.0	42.0							
E70-27	27.0	44.0							
E95-25	25.0	43.6	18.2	15.3	14.5	3/0	95	Red	
E120-27	27.0	47.6	20.3	17.5	16.5	4/4	120	Blue	
E120-32	32.0	52.6							
E150-25	25.0	49.6	23.4	20.6	19.6	250/ 300	150	Yellow	
E150-27	27.0	51.6							
E150-32	32.0	56.6							

## Pre-insulated TWIN End Terminals



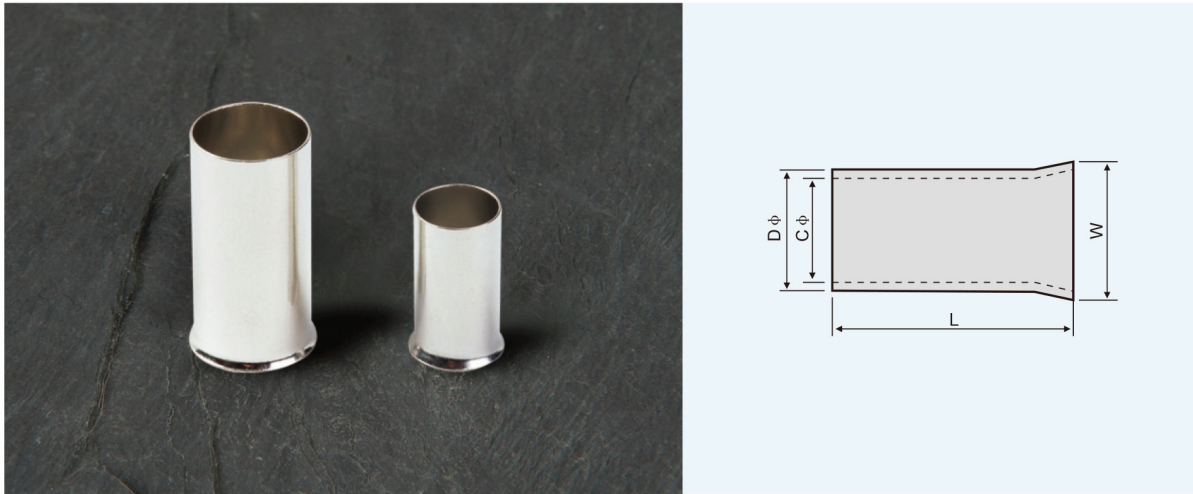
Temp: 105°C Max voltage  $U_i=300V$

Material: copper

Insulating material: pvc / nylon (colors)

ITEM NO	Conductor (mm <sup>2</sup> )	Dimension (mm)						Color	
		F	L	W	B	D φ	C φ	German	French
TE 0508	2×0.5	8.0	15.0	5.0	6.5	1.8	1.5	White	White
TE 7508	2×0.75	8.0	15.8	5.5	6.7	2.1	1.8	Blue	Gray
TE 7510	2×0.75	10.0	17.8	5.5	6.7	2.1	1.8		
TE 1008	2×1.0	8.0	16.0	5.5	7.1	2.3	2.0	Red	Red
TE 1010	2×1.0	10.0	18.0	5.5	7.1	2.3	2.0		
TE 1508	2×1.5	8.0	16.0	6.4	7.2	2.6	2.3	Black	Yellow
TE 1512	2×1.5	12.0	20.0	6.4	7.5	2.6	2.3		
TE 2510	2×2.5	10.0	19.8	8.0	8.5	3.3	2.9	Gray	Blue
TE 2513	2×2.5	13.0	22.8	8.0	8.5	3.3	2.9		
TE 4012	2×4.0	12.0	22.2	8.8	11.1	4.2	3.8	Orange	Gray
TE 6014	2×6.0	14.0	25.2	9.5	12.1	5.3	4.9	Green	Yellow
TE 10-14	2×10.0	14.0	26.0	12.6	12.0	6.9	6.5	Brown	Red
TE 16-14	2×16.0	14.0	30.3	19.0	17.3	8.7	8.3	Milk	Blue

# Un-Insulated End Terminals

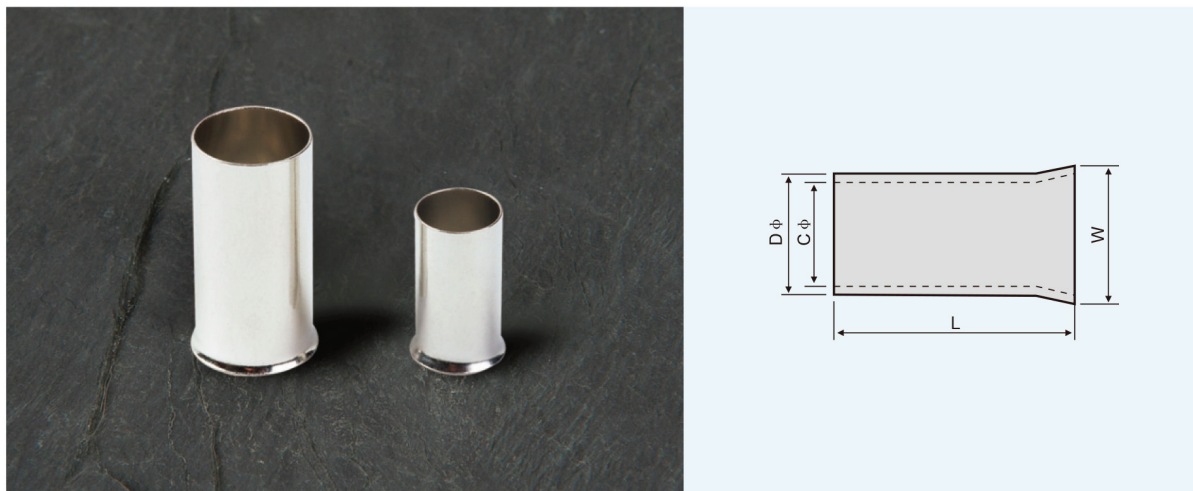


Max voltage  $U_i=300V$  Material: copper

ITEM NO	Dimension (mm)				Cable size	
	L	D $\phi$	C $\phi$	W	A.W.G	mm <sup>2</sup>
EN 0206	6.0	1.0	0.7	1.4	# 26	0.2
EN 0207	7.0					
EN 0208	8.0					
EN 0306	6.0	1.1	0.8	1.5	# 24	0.3
EN 0308	8.0					
EN 0505	5.0	1.3	1.0	1.7	# 22	0.5
EN 0506	6.0					
EN 0508	8.0					
EN 0510	10.0					
EN 0512	12.0	1.6	1.3	1.9	# 20	0.75
EN 7506	6.0					
EN 7508	8.0					
EN 7510	10.0					
EN 7512	12.0	1.8	1.5	2.2	# 18	1.0
EN 1006	6.0					
EN 1008	8.0					
EN 1010	10.0					
EN 1012	12.0	2.1	1.8	2.5	# 16	1.5
EN 1507	7.0					
EN 1508	8.0					
EN 1510	10.0					
EN 1512	12.0					
EN 1518	18.0	2.6	2.3	3.3	# 14	2.5
EN 2507	7.0					
EN 2508	8.0					
EN 2510	10.0					
EN 2512	12.0					
EN 2518	18.0	3.2	2.8	3.9	# 12	4.0
EN 4009	9.0					
EN 4012	12.0					
EN 4018	18.0					
EN 6010	10.0	3.9	3.5	4.8	# 10	6.0
EN 6012	12.0					
EN 6015	15.0					
EN 6018	18.0					



## Un-Insulated End Terminals



Max voltage  $U_i=300V$  Material: copper

ITEM NO	Dimension (mm)				Cable size	
	L	D φ	C φ	W	A.W.G	mm <sup>2</sup>
EN 10-12	12.0	4.9	4.5	5.8	# 7	10.0
EN 10-15	15.0					
EN 10-18	18.0					
EN 16-12	12.0	6.2	5.8	7.2	# 5	16.0
EN 16-15	15.0					
EN 16-18	18.0					
EN-25-16	16.0	7.9	7.5	9.1	# 4	25.0
EN 25-22	22.0					
EN 35-16	16.0					
EN 35-25	25.0	8.7	8.3	10.2	# 2	35.0
EN 50-20	20.0					
EN50-25	25.0					
EN50-30	30.0	10.9	10.3	12.4	# 1	50.0
EN50-32	32.0					
EN70-22	22.0					
EN70-25	25.0	14.3	13.5	15.8	2/0	70.0
EN70-30	30.0					
EN70-32	32.0					
EN95-25	25.0	15.3	14.5	17.3	3/0	95
EN95-30	30.0					
EN95-32	32.0					
EN95-34	34.0					
EN120-30	30.0	17.5	16.5	20.2	4/0	120
EN120-32	32.0					
EN120-34	34.0					
EN120-38	38.0					
EN120-40	40.0					
EN150-32	32.0	20.6	19.6	23.0	250/300	150
EN150-34	34.0					
EN150-38	38.0					
EN150-40	40.0					
EN185-32	32.0	21.4	20.2	23.9	250/300	185
EN185-40	40.0					





**Terminals**

**Bullets and Sockets**

**Tabs and Receptacles**

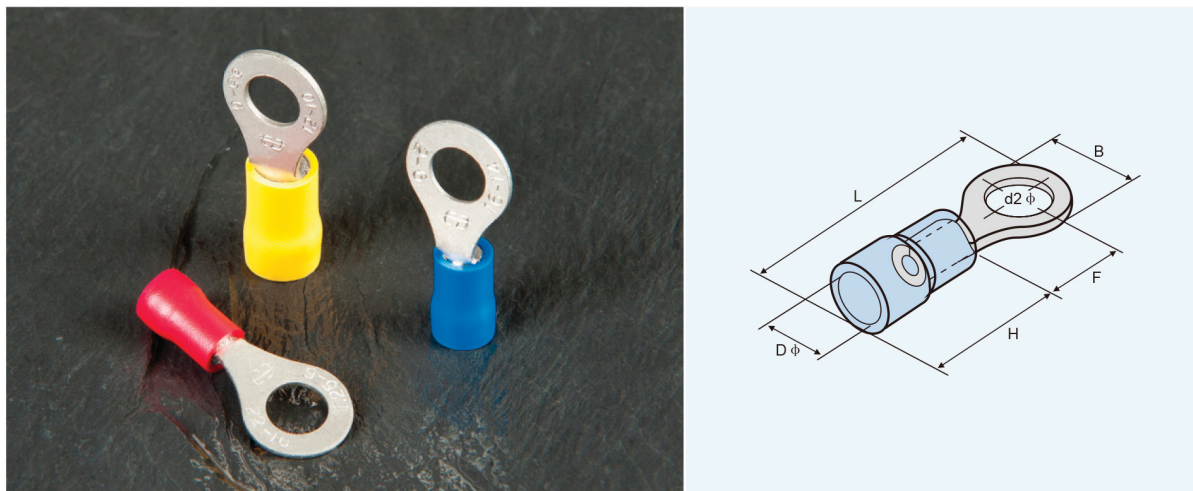
**Connectors**

**Tube Terminals**

**Assortment Boxes**



## Pre-Insulated Ring Terminals



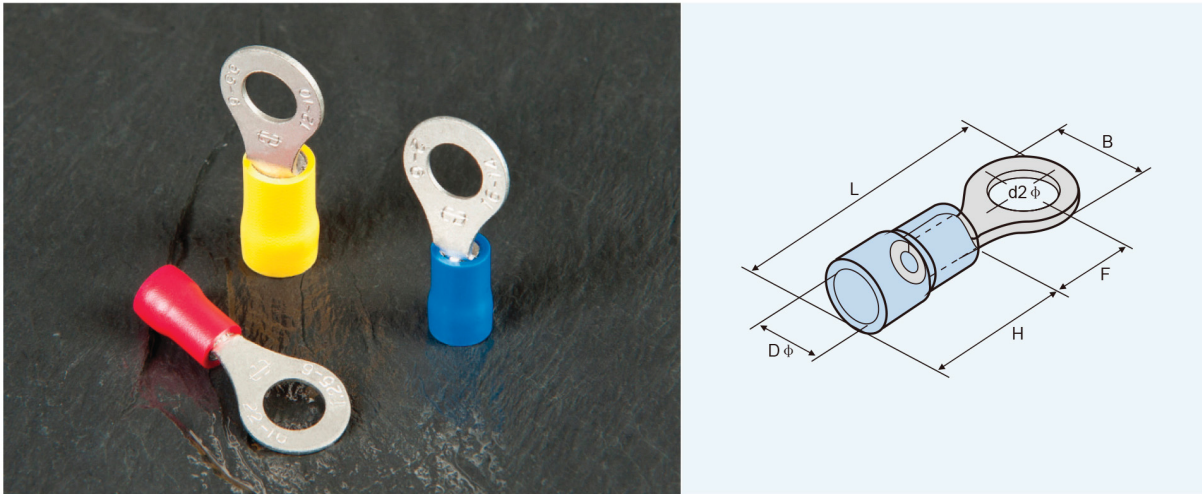
Cable size: 0.5~1.5mm<sup>2</sup>(A.W.G.22~16) Max current: I<sub>max</sub>=19A Material: copper Insulating material: nylon Thickness: 0.75mm

ITEM NO	USA screw	Screw dia. d2 (mm)	Dimension (mm)					Color
			B	L	F	H	Dφ	
RV 1.25-3	#4	3.2	5.7	17.8	4.95	10.5	4.3	Red
RVS 1.25-3.5	#6	3.7	5.7	17.8	4.95			
RVM 1.25-3.5	#6	3.7	6.6	20.1	6.3			
RVL 1.25-3.5	#6	4.3	8.0	21.5	7.0			
RVS 1.25-4	#8	4.3	6.6	20.1	6.3			
RVL 1.25-4	#8	4.3	8.0	21.5	7.0			
RV 1.25-5	#10	5.3	8.0	21.5	7.0			
RVL 1.25-5	#10	5.3	9.8	23.0	7.8			
RV 1.25-6	1/4	6.4	11.6	27.5	11.1			
RV 1.25-8	5/16	8.4	11.6	27.5	11.1			
RV 1.25-10	3/8	10.5	13.6	31.6	13.9			
RV 1.25-12	1/2	13.0	19.2	36.0	16.5			

Cable size: 1.5~2.5mm<sup>2</sup> (A.W.G.16~14) Max current: I<sub>max</sub>=27A Material: copper Insulating material: nylon Thickness: 0.8mm

ITEM NO	USA screw	Screw dia. d2(mm)	Dimension (mm)					Color
			B	L	F	H	Dφ	
RV 2-3	#4	3.2	6.6	18.5	4.8	10.5	4.9	Blue
RVS 2-3.5	#6	3.7	6.6	18.5	4.8			
RVM 2-3.5	#6	3.7	6.6	21.0	7.0			
RVL 2-3.5	#6	3.7	8.5	22.0	7.75			
RVS 2-4	#8	4.3	6.6	21.0	7.0			
RVL 2-4	#8	4.3	8.5	22.0	7.75			
RVS 2-5	#10	5.3	8.5	22.0	7.75			
RVL 2-5	#10	5.3	9.5	22.0	7.25			
RV 2-6	1/4	6.4	12.0	27.6	11.0			
RV 2-8	5/16	8.4	12.0	27.6	11.0			
RV 2-10	3/8	10.5	14.6	31.0	13.9			
RV 2-12	1/2	13.0	19.2	36.0	16.5			

# Pre-Insulated Ring Terminals



Cable size: 2.5~4mm<sup>2</sup>(A.W.G.14~12) Max current: I<sub>max</sub>=37A Material: copper Insulating material: nylon Thickness: 1.0mm

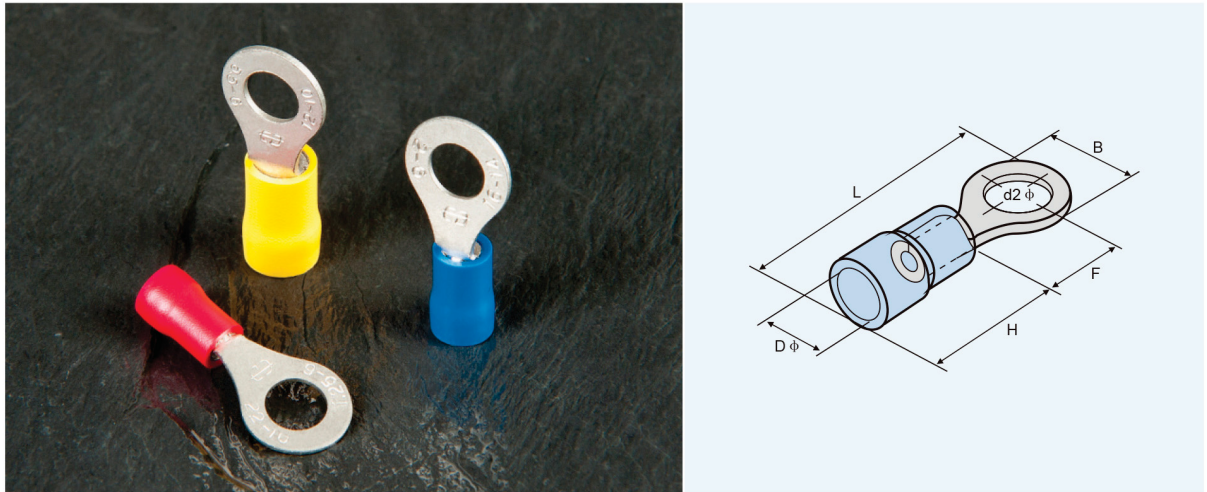
ITEM NO	USA screw	Screw dia. d2(mm)	Dimension (mm)					Color
			B	L	F	H	D φ	
RV 3.5-4	#8	4.3	8.0	25.0	7.7	13.5	5.8	Black
RVS 3.5-5	#10	5.3	8.0	25.0	7.7			
RVL 3.5-5	#10	5.3	12.0	28.6	9.7			
RV 3.5-6	1 /4	6.4	12.0	28.6	9.7			
RV 3.5-8	5 /16	8.4	15.0	34.5	13.4			
RV 3.5-10	3 /8	10.5	15.0	34.5	13.4			

Cable size: 4~6mm<sup>2</sup>(A.W.G.12~10) Max current: I<sub>max</sub>=48A Material: copper Insulating material: nylon Thickness: 1.0mm

ITEM NO	USA screw	Screw dia. d2(mm)	Dimension (mm)					Color
			B	L	F	H	D φ	
RV 5.5-3.5	#6	3.7	7.2	22.6	5.9	13.5	6.3	Yellow
RVS 5.5-4	#8	4.3	7.2	22.6	5.9			
RVL 5.5-4	#8	4.3	9.5	26.0	8.3			
RV 5.5-5	#10	5.3	9.5	26.0	8.3			
RV 5.5-6	1 /4	6.4	12.0	30.0	13.0			
RV 5.5-8	5/16	8.4	15.0	34.5	13.7			
RV 5.5-10	3/8	10.5	15.0	34.5	13.7			
RV 5.5-12	1 /2	13.0	19.2	39.2	16.0			



## Pre-Insulated Ring Terminals, Extra Copper Sleeve (ECS)



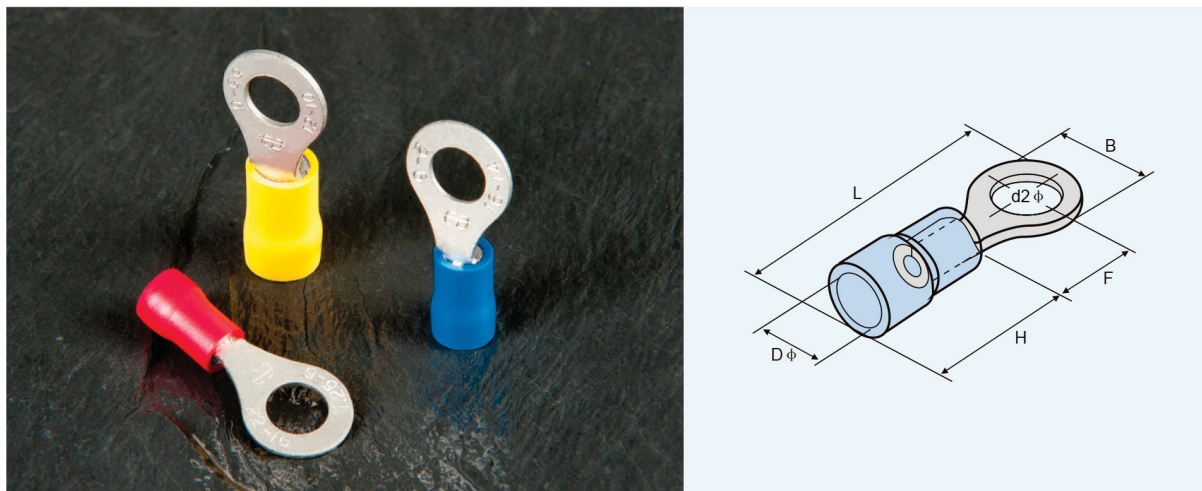
Cable size: 0.5~1.5mm<sup>2</sup> (A.W.G.22~16) Max current: I<sub>max</sub>=19A Material: copper Insulating material: nylon Thickness: 0.75mm

ITEM NO	USA screw	Screw dia. d2 (mm)	Dimension (mm)					Color
			B	L	F	H	Dφ	
RV 1.25-3	#4	3.2	5.7	17.8	4.95	10.5	4.3	Red
RVS 1.25-3.5	#6	3.7	5.7	17.8	4.95			
RVM 1.25-3.5	#6	3.7	6.6	20.1	6.3			
RVL 1.25-3.5	#6	4.3	8.0	21.5	7.0			
RVS 1.25-4	#8	4.3	6.6	20.1	6.3			
RVL 1.25-4	#8	4.3	8.0	21.5	7.0			
RV 1.25-5	#10	5.3	8.0	21.5	7.0			
RVL 1.25-5	#10	5.3	9.8	23.0	7.8			
RV 1.25-6	1/4	6.4	11.6	27.5	11.1			
RV 1.25-8	5/16	8.4	11.6	27.5	11.1			
RV 1.25-10	3/8	10.5	13.6	31.6	13.9			
RV 1.25-12	1/2	13.0	19.2	36.0	16.5			

Cable size: 1.5~2.5mm<sup>2</sup> (A.W.G.16~14) Max current: I<sub>max</sub>=27A Material: copper Insulating material: nylon Thickness: 0.8mm

ITEM NO	USA screw	Screw dia. d2(mm)	Dimension (mm)					Color
			B	L	F	H	Dφ	
RV 2-3	#4	3.2	6.6	18.5	4.8	10.5	4.9	Blue
RVS 2-3.5	#6	3.7	6.6	18.5	4.8			
RVM 2-3.5	#6	3.7	6.6	21.0	7.0			
RVL 2-3.5	#6	3.7	8.5	22.0	7.75			
RVS 2-4	#8	4.3	6.6	21.0	7.0			
RVL 2-4	#8	4.3	8.5	22.0	7.75			
RVS 2-5	#10	5.3	8.5	22.0	7.75			
RVL 2-5	#10	5.3	9.5	22.0	7.25			
RV 2-6	1/4	6.4	12.0	27.6	11.0			
RV 2-8	5/16	8.4	12.0	27.6	11.0			
RV 2-10	3/8	10.5	14.6	31.0	13.9			
RV 2-12	1/2	13.0	19.2	36.0	16.5			

## Pre-Insulated Ring Terminals, Extra Copper Sleeve (ECS)



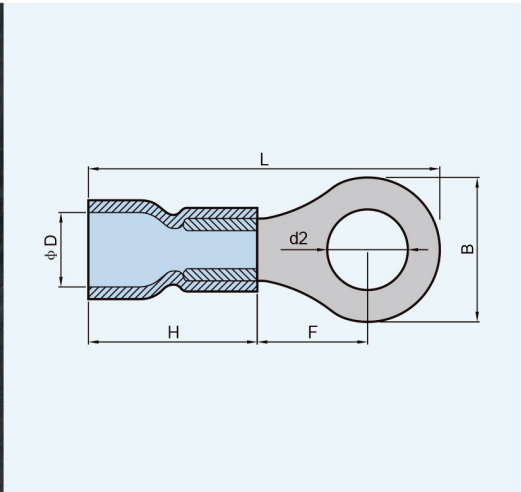
Cable size: 2.5~4mm<sup>2</sup>(A.W.G.14~12) Max current: I<sub>max</sub>=37A Material: copper Insulating material: nylon Thickness: 1.0mm

ITEM NO	USA screw	Screw dia. d2(mm)	Dimension (mm)					Color
			B	L	F	H	D φ	
RV 3.5-4	#8	4.3	8.0	25.0	7.7	13.5	5.8	Black
RVS 3.5-5	#10	5.3	8.0	25.0	7.7			
RVL 3.5-5	#10	5.3	12.0	28.6	9.7			
RV 3.5-6	1 /4	6.4	12.0	28.6	9.7			
RV 3.5-8	5 /16	8.4	15.0	34.5	13.4			
RV 3.5-10	3 /8	10.5	15.0	34.5	13.4			

Cable size: 4~6mm<sup>2</sup>(A.W.G.12~10) Max current: I<sub>max</sub>=48A Material: copper Insulating material: nylon Thickness: 1.0mm

ITEM NO	USA screw	Screw dia. d2(mm)	Dimension (mm)					Color
			B	L	F	H	D φ	
RV 5.5-3.5	#6	3.7	7.2	22.6	5.9	13.5	6.3	Yellow
RVS 5.5-4	#8	4.3	7.2	22.6	5.9			
RVL 5.5-4	#8	4.3	9.5	26.0	8.3			
RV 5.5-5	#10	5.3	9.5	26.0	8.3			
RV 5.5-6	1 /4	6.4	12.0	30.0	13.0			
RV 5.5-8	5/16	8.4	15.0	34.5	13.7			
RV 5.5-10	3/8	10.5	15.0	34.5	13.7			
RV 5.5-12	1 /2	13.0	19.2	39.2	16.0			

## Pre-Insulated Ring Terminals, Easy Entry (EE)



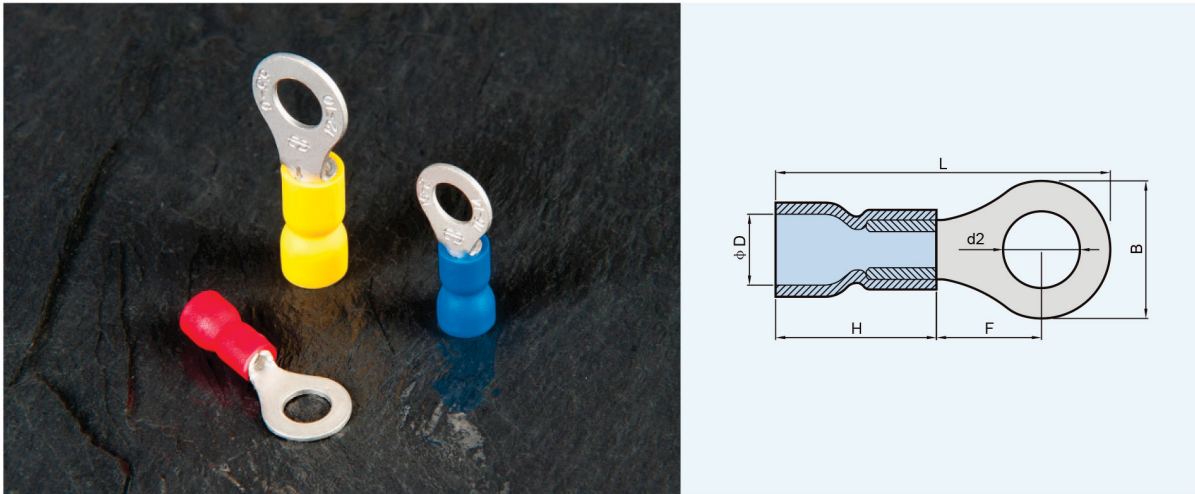
**Cable size: 0.5~1.5mm<sup>2</sup> (A.W.G.22~16) Max current: I<sub>max</sub>=19A Material: copper Insulating material: nylon Thickness: 0.75mm**

ITEM NO	USA screw	Screw dia. d2(mm)	Dimension (mm)					Color
			B	L	F	H	D φ	
RE 1.25-3	#4	3.2	5.7	17.8	4.95	10.0	4.3	Red
RES 1.25-3.5	#6	3.7	5.7	17.8	4.95			
REM 1.25-3.5	#6	3.7	6.6	20.1	6.3			
REL 1.25-3.5	#6	4.3	8.0	21.5	7.0			
RES 1.25-4	#8	4.3	6.6	20.1	6.3			
REL 1.25-4	#8	4.3	8.0	21.5	7.0			
RE 1.25-5	#10	5.3	8.0	21.5	7.0			
REL 1.25-5	#10	5.3	9.8	23.0	7.8			
RE 1.25-6	1/4	6.4	11.6	27.5	11.1			
RE 1.25-8	5/16	8.4	11.6	27.5	11.1			
RE 1.25-10	3/8	10.5	13.6	31.6	13.9			
RE 1.25-12	1/2	13.0	19.2	36.0	16.5			

**Cable size: 1.5~2.5mm<sup>2</sup> (A.W.G.16~14) Max current: I<sub>max</sub>=27A Material: copper Insulating material: nylon Thickness: 0.8mm**

ITEM NO	USA screw	Screw dia. d2(mm)	Dimension (mm)					Color
			B	L	F	H	D φ	
RE 2-3	#4	3.2	6.6	17.8	4.3	10.0	4.9	Blue
RES 2-3.5	#6	3.7	6.6	17.8	4.3			
REM 2-3.5	#6	3.7	6.6	21.0	7.0			
REL 2-3.5	#6	3.7	8.5	22.5	7.75			
RES 2-4	#8	4.3	6.6	21.0	7.0			
REL 2-4	#8	4.3	8.5	22.5	7.75			
RES 2-5	#10	5.3	8.5	22.5	7.75			
REL 2-5	#10	5.3	9.5	22.5	7.25			
RE 2-6	1/4	6.4	12.0	27.6	11.0			
RE 2-8	5/16	8.4	12.0	27.6	11.0			
RE 2-10	3/8	10.5	14.6	30.2	13.9			
RE 2-12	1/2	13.0	19.2	35.4	16.5			

## Pre-Insulated Ring Terminals, Easy Entry (EE)



**Cable size:** 2.5~4mm<sup>2</sup>(A.W.G.14~12) **Max current:** I<sub>max</sub>=37A **Material:** copper **Insulating material:** nylon **Thickness:** 1.0mm

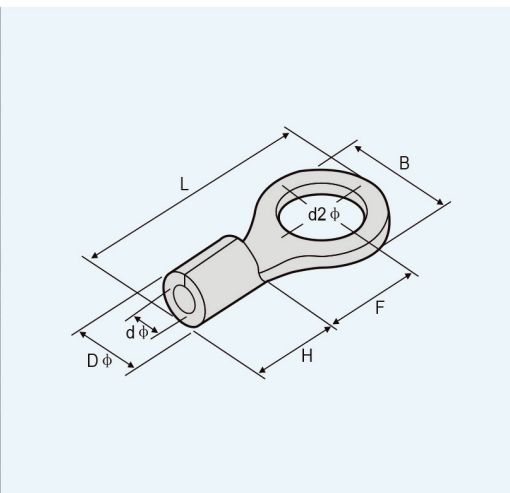
ITEM NO	USA screw	Screw dia. d2(mm)	Dimension(mm)					Color
			B	L	F	H	D φ	
RE 3.5-4	#8	4.3	8.0	24.5	7.7	13.0	6.2	Black
RES 3.5-5	#10	5.3	8.0	24.5	7.7			
REL 3.5-5	#10	5.3	12.0	27.9	7.7			
RE 3.5-6	1/4	6.4	12.0	27.9	7.7			

**Cable size:** 4~6mm<sup>2</sup>(A.W.G.12~10) **Max current:** I<sub>max</sub>=48A **Material:** copper **Insulating material:** nylon **Thickness:** 1.0mm

ITEM NO	USA screw	Screw dia. d2(mm)	Dimension (mm)					Color
			B	L	F	H	D φ	
RE 5.5-3.5	#6	3.7	7.2	21.4	5.9	13.0	6.7	Yellow
RES 5.5-4	#8	4.3	7.2	21.4	5.9			
REL 5.5-4	#8	4.3	9.5	25.5	8.3			
RE 5.5-5	#10	5.3	9.5	25.5	8.3			
RE 5.5-6	1/4	6.4	12.0	31.5	13.0			
RE 5.5-8	5/16	8.4	15.0	33.7	13.7			
RE 5.5-10	3/8	10.5	15.0	33.7	13.7			
RE 5.5-12	1/2	13.0	19.2	38.1	16.0			



## Un-Insulated Ring Terminals



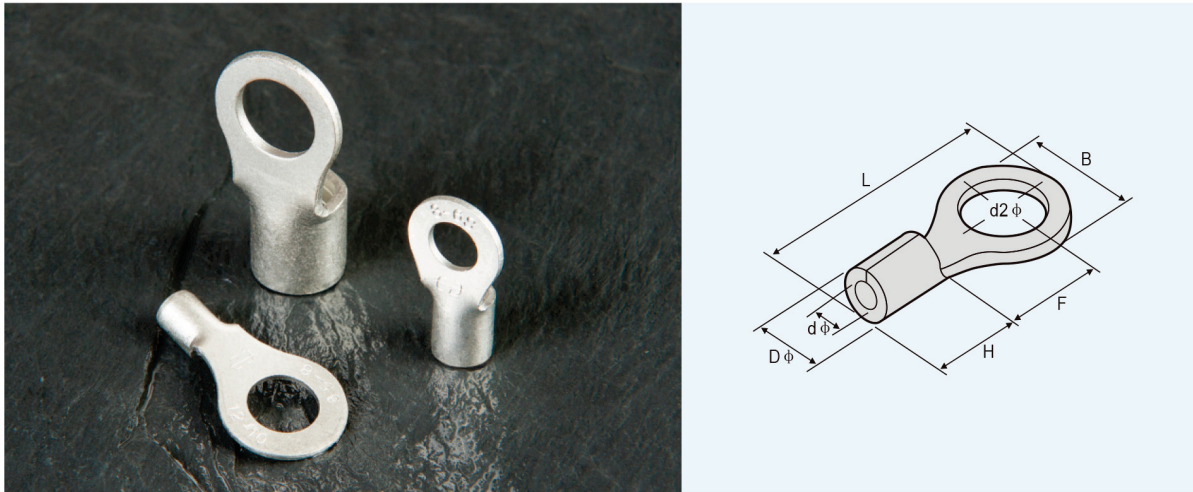
**Cable size:**0.5~1.5mm<sup>2</sup> (A.W.G.22~16) **Max current:** I<sub>max</sub>=19A **Material:** copper **Thickness:** 0.75mm

ITEM NO	USA screw	Screw dia. d2(mm)	Dimension (mm)					
			B	L	F	H	Dφ	dφ
RNB 1.25-3	#4	3.2	5.7	12.6	4.95	5.0	3.4	1.7
RNBS 1.25-3.5	#6	3.7	5.7	12.6	4.95			
RNBM 1.25-3.5	#6	3.7	6.6	14.4	6.3			
RNBL 1.25-3.5	#6	3.7	8.0	15.8	7.0			
RNBS 1.25-4	#8	4.3	6.6	14.4	6.3			
RNBL 1.25-4	#8	4.3	8.0	15.8	7.0			
RNB 1.25-5	#10	5.3	8.0	15.8	7.0			
RNBL 1.25-5	#10	5.3	9.8	17.6	8.5			
RNB 1.25-6	1/4	6.4	11.6	21.8	11.1			
RNB 1.25-8	5/16	8.4	11.6	21.8	11.1			
RNB 1.25-10	3/8	10.5	13.6	25.5	13.9			
RNB 1.25-12	1/2	13.0	19.2	30.4	16.5			

**Cable size:**1.5~2.5mm<sup>2</sup> (A.W.G.16~14) **Max current:** I<sub>max</sub>=27A **Material:** copper **Thickness:** 0.8mm

ITEM NO	USA screw	Screw dia. d2(mm)	Dimension (mm)					
			B	L	F	H	Dφ	dφ
RNB 2-3	#4	3.2	6.6	13.0	4.3	5.0	4.1	2.3
RNBS 2-3.5	#6	3.7	6.6	13.0	4.3			
RNBM 2-3.5	#6	3.7	6.6	14.6	7.0			
RNBL 2-3.5	#6	3.7	8.5	16.6	7.75			
RNBS 2-4	#8	4.3	6.6	16.0	7.0			
RNBL 2-4	#8	4.3	8.5	16.8	7.75			
RNBS 2-5	#10	5.3	8.5	16.8	7.75			
RNBL 2-5	#10	5.3	9.5	16.8	7.25			
RNB 2-6	1/4	6.4	12.0	21.8	11.0			
RNB2-8	5/16	8.4	12.0	21.8	11.0			
RNB 2-10	3/8	10.5	13.6	25.5	13.9			
RNB 2-12	1/2	13.0	19.2	30.6	16.5			

# Un-Insulated Ring Terminals



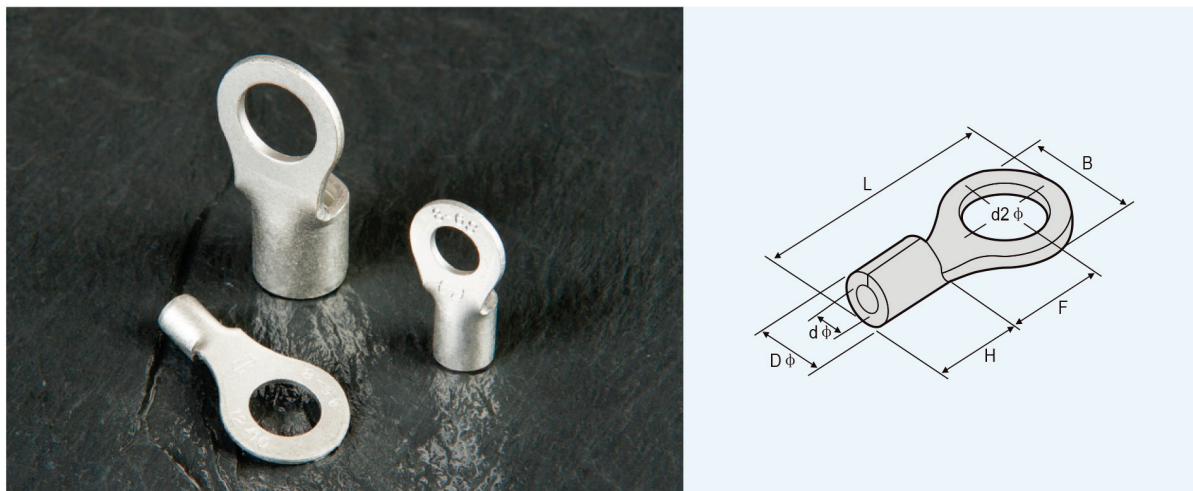
**Cable size:** 2.5~4mm<sup>2</sup>(A.W.G.14~12)    **Max current:** I<sub>max</sub>=37A    **Material:** copper    **Thickness:** 1.0mm

ITEM NO	USA screw	Screw dia. d2(mm)	Dimension (mm)						
			B	L	F	H	Dφ	dφ	
RNB 3.5-4	#8	4.3	8.0	18.0	7.7	6.0	5.0	3.0	
RNBS 3.5-5	#10	5.3	8.0	18.0	7.7				
RNBL 3.5-5	#10	5.3	12.0	21.4	9.4				
RNB 3.5-6	1/4	6.4	12.0	21.4	9.4				
RNB 3.5-8	5/16	8.4	15.0	27.0	13.4				6.6
RNB 3.5-10	3/8	10.5	15.0	27.0	13.4				6.0

**Cable size:** 4~6mm<sup>2</sup>(A.W.G.12~10)    **Max current:** I<sub>max</sub>=48A    **Material:** copper    **Thickness:** 1.0mm

ITEM NO	USA screw	Screw dia. d2(mm)	Dimension (mm)					
			B	L	F	H	Dφ	dφ
RNB 5.5-3.5	#6	3.7	7.2	15.7	5.9	7.0	5.4	3.4
RNBS 5.5-4	#8	4.3	7.2	15.7	5.9			
RNBL 5.5-4	#8	4.3	9.5	19.8	8.3			
RNB 5.5-5	#10	5.3	9.5	19.8	8.3			
RNB 5.5-6	1/4	6.4	12.0	25.8	13.0			
RNB 5.5-8	5/16	8.4	15.0	28.0	13.7			
RNB 5.5-10	3/8	10.5	15.0	28.0	13.7			
RNB 5.5-12	1/2	13.0	19.2	32.4	16.0			

## Un-Insulated Ring Terminals



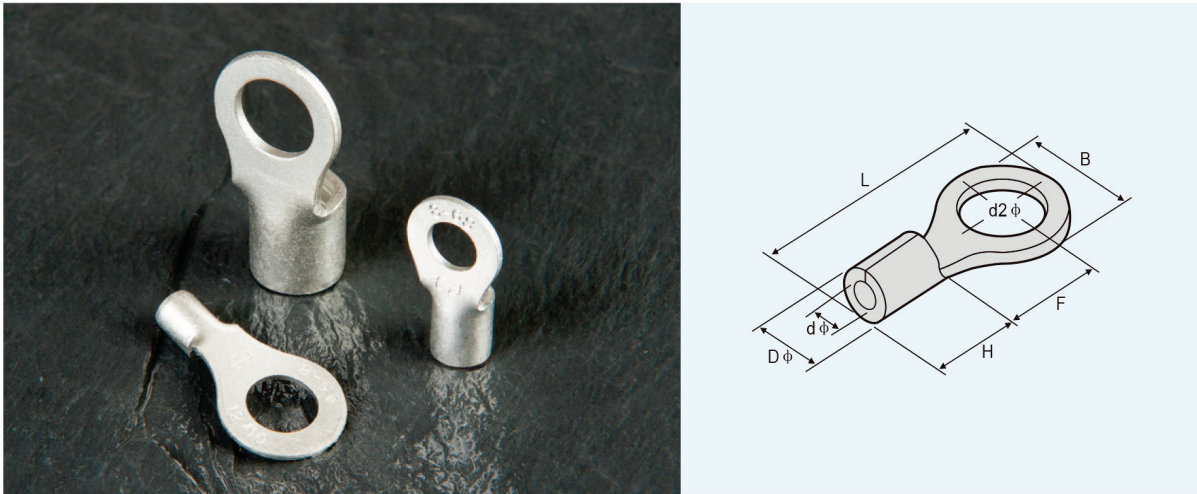
**Cable size: 6~10mm<sup>2</sup> (A.W.G.8) Max current: I<sub>max</sub>=62A Material: copper Thickness: 1.2mm**

ITEM NO	USA screw	Screw dia. d2(mm)	Dimension (mm)					
			B	L	F	H	Dφ	dφ
RNB 8-4	#8	4.3	8.8	23.8	9.3	8.5	7.2	4.5
RNBS 8-5	#10	5.3	8.8	23.8	11.1			
RNBM 8-5	#10	5.3	12.0	23.8	9.3			
RNBL 8-5	#10	5.3	15.0	29.8	13.8			
RNBS 8-6	1/4	6.4	12.0	23.8	9.3			
RNBL 8-6	1/4	6.4	15.0	29.8	13.8			
RNB 8-8	5/16	8.4	15.0	29.8	13.8			
RNB 8-10	3/8	10.5	15.0	29.8	13.8			
RNB 8-12	1/2	13.0	20.0	33.5	15.0			

**Cable size: 10~16mm<sup>2</sup> (A.W.G.6) Max current: I<sub>max</sub>=88A Material: copper Thickness: 1.4mm**

ITEM NO	USA screw	Screw dia. d2(mm)	Dimension (mm)					
			B	L	F	H	Dφ	dφ
RNB 14-4	#8	4.3	12.0	29.8	13.3	10.5	9.0	5.8
RNB 14-5	#10	5.3	12.0	29.8	13.3			
RNBS 14-6	1/4	6.4	12.0	29.8	13.3			
RNBL 14-6	1/4	6.4	16.0	32.8	13.3			
RNB 14-8	5/16	8.4	16.0	32.8	14.5			
RNB 14-10	3/8	10.5	16.0	32.8	14.5			
RNB 14-12	1/2	13.0	22.0	41.0	19.5			

# Un-Insulated Ring Terminals



Cable size: 16~25mm<sup>2</sup> (A.W.G.4) Max current: I<sub>max</sub>=115A Material: copper Thickness: 1.7mm

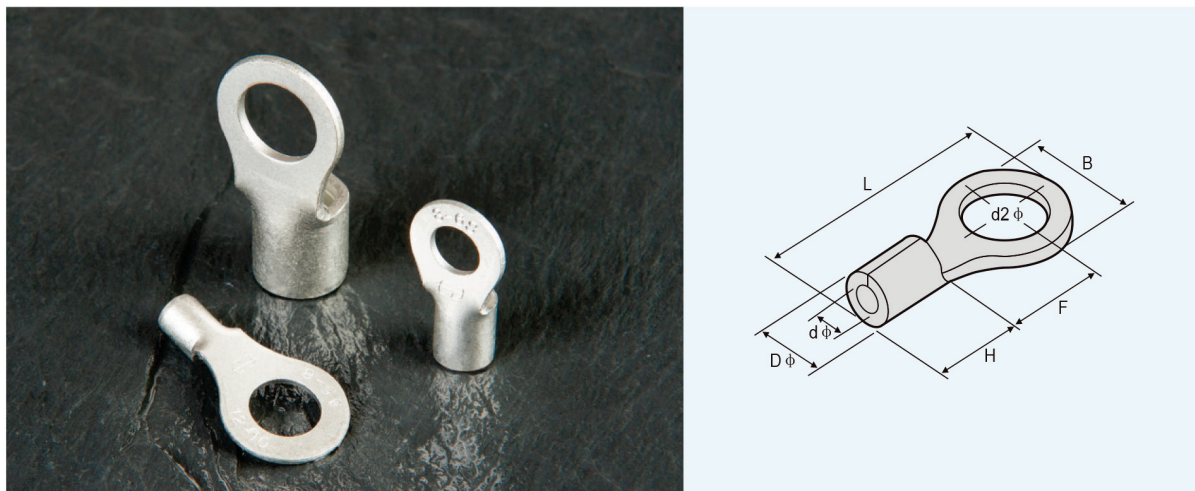
ITEM NO	USA screw	Screw dia. d2(mm)	Dimension (mm)					
			B	L	F	H	Dφ	dφ
RNBS 22-5	#10	5.3	12.2	33.2	14.5	12.0	11.5	7.7
RNBL 22-5	#10	5.3	16.5	33.7	13.5			
RNBS 22-6	1/4	6.4	12.2	33.7	14.5			
RNBL 22-6	1/4	6.4	16.5	33.7	13.5			
RNB 22-8	5/16	8.4	16.5	33.7	13.5			
RNB 22-10	3/8	10.5	16.5	33.7	13.5			
RNB 22-11	7/16	11.5	22.0	42.5	19.5			
RNB 22-12	1/2	13.0	22.0	42.5	19.5			

Cable size: 35~50mm<sup>2</sup> (A.W.G.2) Max current: I<sub>max</sub>=160A Material: copper Thickness: 1.8mm

ITEM NO	USA screw	Screw dia. d2(mm)	Dimension (mm)					
			B	L	F	H	Dφ	dφ
RNB 38-5	#10	5.3	15.3	39.0	18.3	14.0	13.3	9.4
RNB 38-6	1/4	6.4	15.3	39.0	18.3			
RNBS 38-8	5/16	8.4	15.3	39.0	18.3			
RNBL 38-8	5/16	8.4	22.0	42.7	17.7			
RNBS 38-10	3/8	10.5	15.3	39.0	18.3			
RNBL 38-10	3/8	10.5	22.0	42.7	17.7			
RNB 38-11	7/16	11.5	22.0	42.7	17.7			
RNB 38-12	1/2	13.0	22.0	42.7	17.7			



## Un-Insulated Ring Terminals



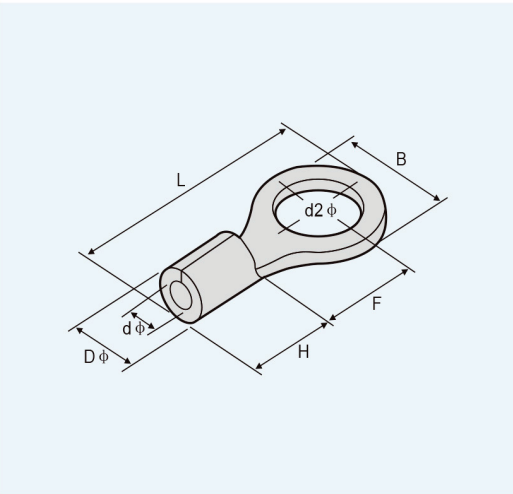
**Cable size:**50~70mm<sup>2</sup> (A.W.G.1/0)    **Max current:** I<sub>max</sub>=215A    **Material:** copper    **Thickness:** 1.8mm

ITEM NO	USA screw	Screw dia. d2(mm)	Dimension (mm)					
			B	L	F	H	D φ	d φ
RNB 60-6	1 / 4	6.4	22.0	49.7	20.7	18.0	15.4	11.4
RNB 60-8	5/16	8.4						
RNB 60-10	3/8	10.5						
RNB 60-11	7/16	11.5						
RNB 60-12	1 / 2	13.0						
RNB 60-14	9/16	15.0	32.0	57.5	23.5	18.0	15.4	11.4
RNB 60-16	5/8	17.0						
RNB 60-18	11/16	19.0						
RNB 60-20	3 / 4	21.0						
RNB 60-22	7/8	23.0						

**Cable size:**70~95mm<sup>2</sup> (A.W.G.2/0)    **Max current:** I<sub>max</sub>=235A    **Material:** copper    **Thickness:** 1.9mm

ITEM NO	USA screw	Screw dia. d2(mm)	Dimension (mm)					
			B	L	F	H	D φ	d φ
RNB 70-6	1 / 4	6.4	24.0	51.0	20.0	19.0	17.5	13.3
RNB 70-8	5/16	8.4						
RNB 70-10	3/8	10.5						
RNB 70-11	7/16	11.5						
RNB 70-12	1 / 2	13.0						
RNB 70-14	9/16	15.0	32.0	61.0	26.0	19.0	17.5	13.3
RNB 70-16	5/8	17.0						
RNB 70-18	11/16	19.0						
RNB 70-20	3 / 4	21.0						
RNB 70-22	7/8	23.0						

# Un-Insulated Ring Terminals



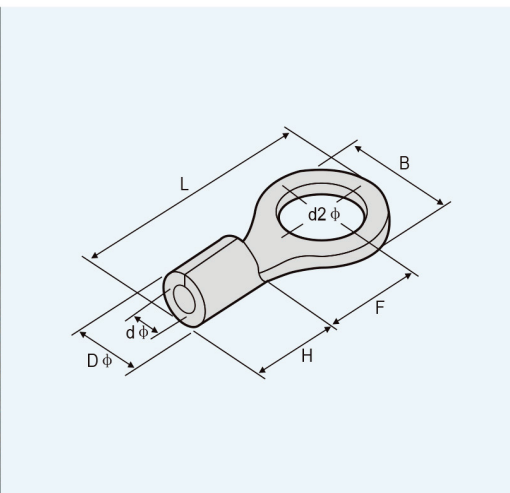
**Cable size:**95~120mm<sup>2</sup> (A.W.G.3/0) **Max current:** I<sub>max</sub>=255A **Material:** copper **Thickness:** 2.2mm

ITEM NO	USA screw	Screw dia. d2(mm)	Dimension (mm)					
			B	L	F	H	Dφ	dφ
RNB 80-6	1/4	6.4	27.0	54.2	20.7	20.0	19.5	14.5
RNB 80-8	5/16	8.4						
RNB 80-10	3/8	10.5						
RNB 80-11	7/16	11.5						
RNB 80-12	1/2	13.0						
RNB 80-14	9/16	15.0	32.0	68.0	32.0	20.0	19.5	14.5
RNB 80-16	5/8	17.0						
RNB 80-18	11/16	19.0						
RNB 80-20	3/4	21.0						
RNB 80-22	7/8	23.0						

**Cable size:**120~150mm<sup>2</sup> (A.W.G.4/0) **Max current:** I<sub>max</sub>=300A **Material:** copper **Thickness:** 2.6mm

ITEM NO 型号	USA screw 美制螺栓号	Screw dia. 螺栓口直径 d2(mm)	Dimension尺寸(mm)					
			B	L	F	H	Dφ	dφ
RNB 100-6	1/4	6.4	28.5	55.6	20.4	21.0	22.1	16.4
RNB 100-8	5/16	8.4						
RNB 100-10	3/8	10.5						
RNB 100-11	7/16	11.5						
RNB 100-12	1/2	13.0						
RNB 100-14	9/16	15.0	32.0	69.0	32.0	21.0	22.1	16.4
RNB 100-16	5/8	17.0						
RNB 100-18	11/16	19.0						
RNB 100-20	3/4	21.0						
RNB 100-22	7/8	23.0						

## Un-Insulated Ring Terminals



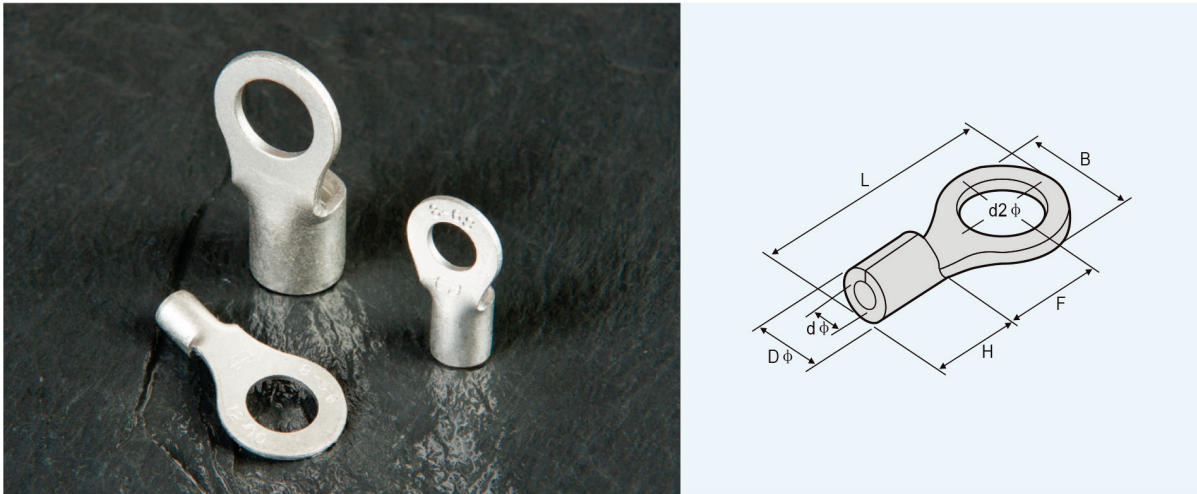
**Cable size: 150~185mm<sup>2</sup> (A.W.G. 250/300MCM) Max current: I<sub>max</sub>=395A Material: copper Thickness: 3.2mm**

ITEM NO	USA screw	Screw dia. d2(mm)	Dimension (mm)					
			B	L	F	H	Dφ	dφ
RNB 150-8	5/16	8.4	36.0	66.0	23.0	27.0	26.6	19.5
RNB 150-10	3/8	10.5						
RNB 150-11	7/16	11.5						
RNB 150-12	1/2	13.0						
RNB 150-14	9/16	15.0						
RNB 150-16	5/8	17.0	36.0	81.0	36.0	27.0	26.6	19.5
RNB 150-18	11/16	19.0						
RNB 150-20	3/4	21.0						
RNB 150-22	7/8	23.0						
RNB 150-24	15/16	25.0						
RNB 150-27	1	28.0						

**Cable size: 185~1240mm<sup>2</sup> (A.W.G. 300/350MCM) Max current: I<sub>max</sub>=440A Material: copper Thickness: 3.5mm**

ITEM NO	USA screw	Screw dia. d2(mm)	Dimension (mm)					
			B	L	F	H	Dφ	dφ
RNB 180-8	5/16	8.4	38.5	69.0	24.5	28.5	28.6	21.0
RNB 180-10	3/8	10.5						
RNB 180-11	7/16	11.5						
RNB 180-12	1/2	13.0						
RNB 180-14	9/16	15.0						
RNB 180-16	5/8	17.0	38.5	86.6	39.0	28.5	28.6	21.0
RNB 180-18	11/16	19.0						
RNB 180-20	3/4	21.0						
RNB 180-22	7/8	23.0						
RNB 180-24	15/16	25.0						
RNB 180-27	1	28.0						

# Un-Insulated Ring Terminals



Cable size: 240~300mm<sup>2</sup> (A.W.G. 400/500MCM) Max current: I<sub>max</sub>=470A Material: copper Thickness: 3.9mm

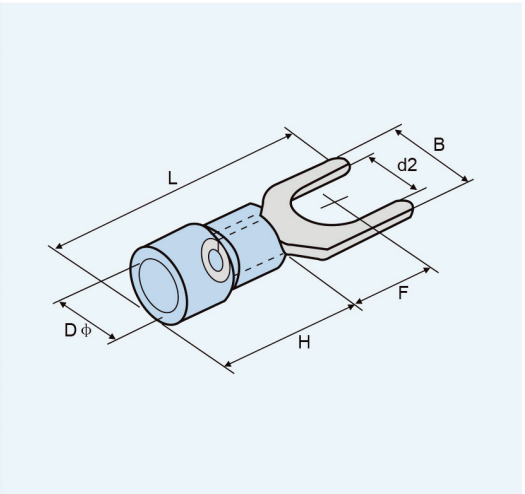
ITEM NO	USA screw	Screw dia. d2(mm)	Dimension (mm)					
			B	L	F	H	Dφ	dφ
RNB 200-8	5/16	8.4	44.0	72.0	24.5	31.5	32.6	24.0
RNB 200-10	3/8	10.5						
RNB 200-11	7/16	11.5						
RNB 200-12	1/2	13.0						
RNB 200-14	9/16	15.0						
RNB 200-16	5/8	17.0						
RNB 200-18	11/16	19.0	44.0	91.0	37.5	31.5	32.6	24.0
RNB 200-20	3/4	21.0						
RNB 200-22	7/8	23.0						
RNB 200-24	15/16	25.0						
RNB 200-27	1	28.0						

Cable size: 300~400mm<sup>2</sup> (A.W.G. 500/600MCM) Max current: I<sub>max</sub>=650A Material: copper Thickness: 4.2mm

ITEM NO	USA screw	Screw dia. d2(mm)	Dimension (mm)					
			B	L	F	H	Dφ	dφ
RNB 325-8	5/16	8.4	50.5	88.0	33.5	35.5	37.1	28.0
RNB 325-10	3/8	10.5						
RNB 325-11	7/16	11.5						
RNB 325-12	1/2	13.0						
RNB 325-14	9/16	15.0						
RNB 325-16	5/8	17.0						
RNB 325-18	11/16	19.0	50.5	105.7	45.0	35.5	37.1	28.0
RNB 325-20	3/4	21.0						
RNB 325-22	7/8	23.0						
RNB 325-24	15/16	25.0						
RNB 325-27	1	28.0						



## Pre-Insulated Fork Terminals



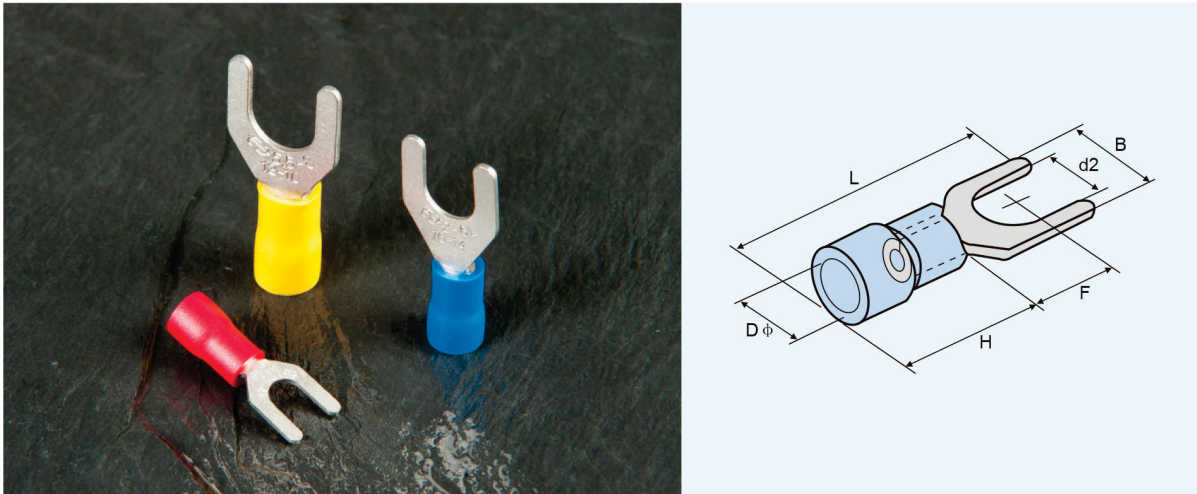
**Cable size: 0.5~1.5mm<sup>2</sup> (A.W.G.22~16) Max current: I<sub>max</sub>=19A Material: copper Insulating material: nylon Thickness: 0.75mm**

ITEM NO	USA screw	Screw dia. d2(mm)	Dimension (mm)					Color
			B	L	F	H	D φ	
SV 1.25-3	#4	3.2	5.7	21.5	6.5	10.5	4.3	Red
SVS 1.25-3.5	#6	3.7	5.7	21.5	6.5			
SVL 1.25-3.5	#6	3.7	6.4	21.5	6.5			
SVS 1.25-4	#8	4.3	6.4	21.5	6.5			
SVM 1.25-4	#8	4.3	7.2	21.5	6.5			
SVL 1.25-4	#8	4.3	8.1	21.5	6.5			
SVS 1.25-5	#10	5.3	8.1	21.5	6.5			
SVL 1.25-5	#10	5.3	9.5	21.5	6.5			
SVS 1.25-6	1 / 4	6.4	9.5	21.5	6.5			
SVL 1.25-6	1 / 4	6.4	12.0	27.2	11.0			

**Cable size: 1.5~2.5mm<sup>2</sup> (A.W.G.16~14) Max current: I<sub>max</sub>=27A Material: copper Insulating material: nylon Thickness: 0.8mm**

ITEM NO	USA screw	Screw dia. d2(mm)	Dimension (mm)					Color
			B	L	F	H	D φ	
SV 2-3	#4	3.2	5.7	21.5	6.5	10.5	4.9	Blue
SVS 2-3.5	#6	3.7	5.7	21.5	6.5			
SVL 2-3.5	#6	3.7	6.0	21.5	6.5			
SVS 2-4	#8	4.3	6.4	21.5	6.5			
SVM 2-4	#8	4.3	7.2	21.5	6.5			
SVL 2-4	#8	4.3	7.9	21.5	6.5			
SVS 2-5	#10	5.3	8.1	21.5	6.5			
SVL 2-5	#10	5.3	9.5	21.5	6.5			
SVS 2-6	1 / 4	6.4	9.5	21.5	6.5			
SVL 2-6	1 / 4	6.4	12.0	21.5	11.0			

# Pre-Insulated Fork Terminal



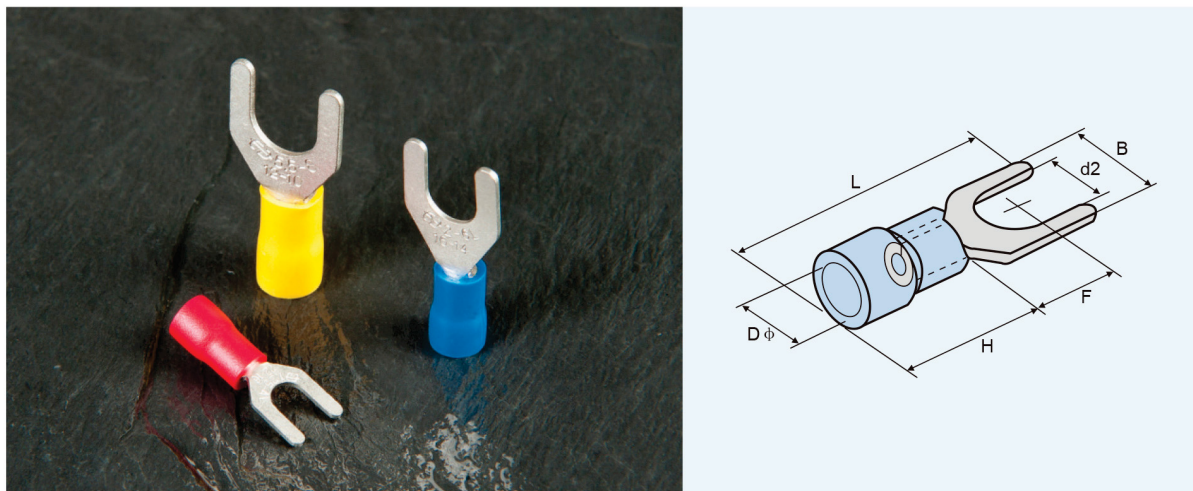
Cable size: 2.5~4mm<sup>2</sup> (A.W.G.14~12) Max current: I<sub>max</sub>=37A Material: copper Insulating material: nylon Thickness: 1.0mm

ITEM NO	USA screw	Screw dia. d2(mm)	Dimension (mm)					Color
			B	L	F	H	D φ	
SV 3.5-3	#4	3.2	5.7	26.4	7.0	13.5	6.2	Black
SV 3.5-4	#8	4.3	8.0	26.4	7.0			
SV 3.5-5	#10	5.3	8.0	26.4	7.0			
SV 3.5-6	1/4	6.4	12.0	28.0	12.1			

Cable size: 4~6mm<sup>2</sup> (A.W.G.12~10) Max current: I<sub>max</sub>=48A Material: copper Insulating material: nylon Thickness: 1.0mm

ITEM NO	USA screw	Screw dia. d2(mm)	Dimension (mm)					Color
			B	L	F	H	D φ	
SV 5.5-3.5	#6	3.7	7.1	24.8	7.5	13.5	6.7	Yellow
SVS 5.5-4	#8	4.3	8.3	26.0	7.5			
SVL 5.5-4	#8	4.3	9.0	26.0	7.5			
SV 5.5-5	#10	5.3	9.0	26.0	7.5			
SVS 5.5-6	1/4	6.4	9.0	26.0	7.5			
SVL 5.5-6	1/4	6.4	12.0	32.0	12.0			
SV 5.5-8	5/16	8.4	14.0	30.0	11.5			

## Pre-Insulated Fork Terminals, Extra Copper Sleeve (ECS)



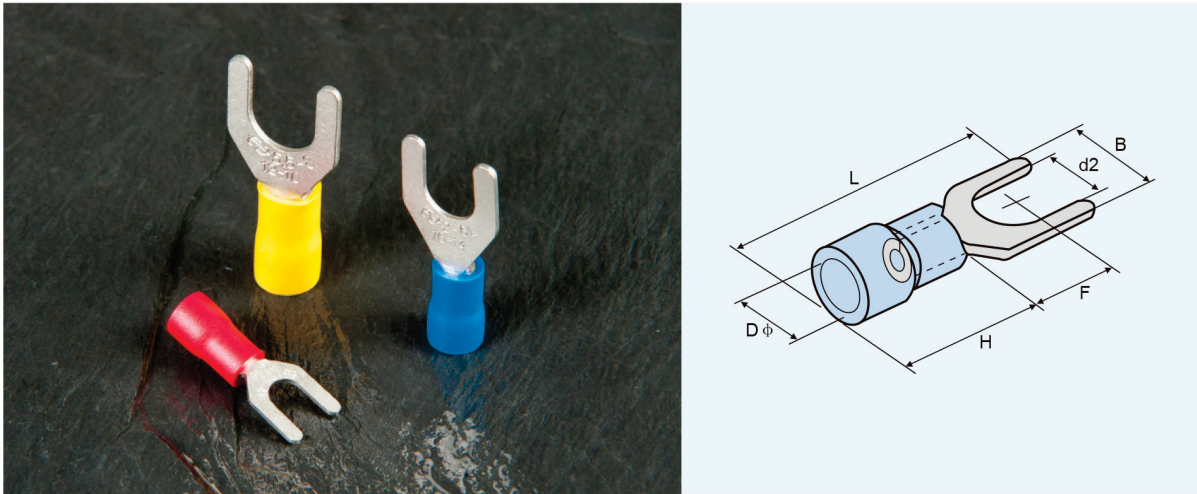
**Cable size: 0.5~1.5mm<sup>2</sup> (A.W.G.22~16) Max current: I<sub>max</sub>=19A Material: copper Insulating material: nylon Thickness: 0.75mm**

ITEM NO	USA screw	Screw dia. d2(mm)	Dimension (mm)					Color
			B	L	F	H	D φ	
SV 1.25-3	#4	3.2	5.7	21.5	6.5	10.5	4.3	Red
SVS 1.25-3.5	#6	3.7	5.7	21.5	6.5			
SVL 1.25-3.5	#6	3.7	6.4	21.5	6.5			
SVS 1.25-4	#8	4.3	6.4	21.5	6.5			
SVM 1.25-4	#8	4.3	7.2	21.5	6.5			
SVL 1.25-4	#8	4.3	8.1	21.5	6.5			
SVS 1.25-5	#10	5.3	8.1	21.5	6.5			
SVL 1.25-5	#10	5.3	9.5	21.5	6.5			
SVS 1.25-6	1 / 4	6.4	9.5	21.5	6.5			
SVL 1.25-6	1 / 4	6.4	12.0	27.2	11.0			

**Cable size: 1.5~2.5mm<sup>2</sup> (A.W.G.16~14) Max current: I<sub>max</sub>=27A Material: copper Insulating material: nylon Thickness: 0.8mm**

ITEM NO	USA screw	Screw dia. d2(mm)	Dimension (mm)					Color
			B	L	F	H	D φ	
SV 2-3	#4	3.2	5.7	21.5	6.5	10.5	4.9	Blue
SVS 2-3.5	#6	3.7	5.7	21.5	6.5			
SVL 2-3.5	#6	3.7	6.0	21.5	6.5			
SVS 2-4	#8	4.3	6.4	21.5	6.5			
SVM 2-4	#8	4.3	7.2	21.5	6.5			
SVL 2-4	#8	4.3	7.9	21.5	6.5			
SVS 2-5	#10	5.3	8.1	21.5	6.5			
SVL 2-5	#10	5.3	9.5	21.5	6.5			
SVS 2-6	1 / 4	6.4	9.5	21.5	6.5			
SVL 2-6	1 / 4	6.4	12.0	21.5	11.0			

## Pre-Insulated Fork Terminals, Extra Copper Sleeve (ECS)



Cable size: 2.5~4mm<sup>2</sup> (A.W.G.14~12) Max current: I<sub>max</sub>=37A Material: copper Insulating material: nylon Thickness: 1.0mm

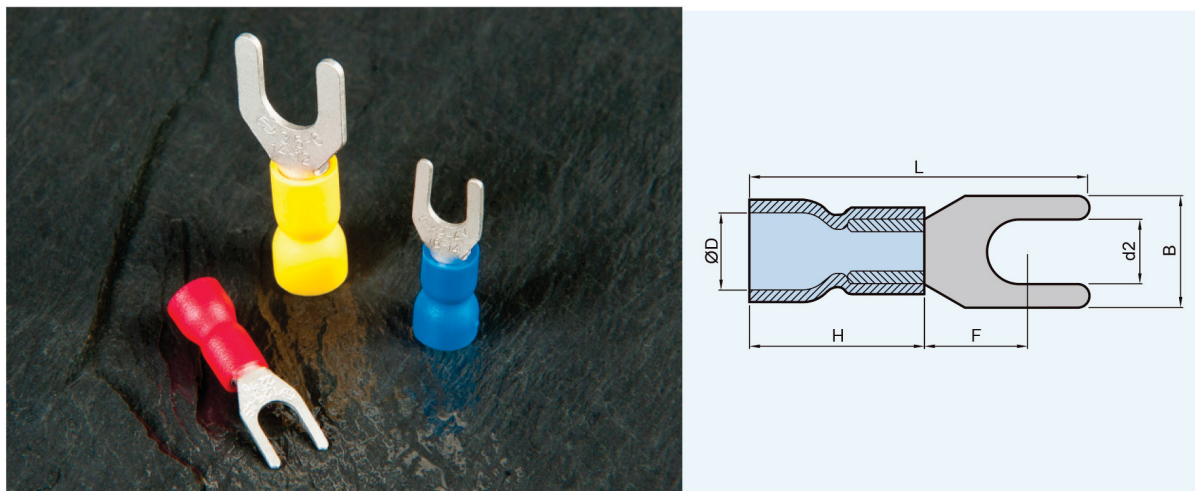
ITEM NO	USA screw	Screw dia. d2(mm)	Dimension (mm)					Color
			B	L	F	H	D φ	
SV 3.5-3	#4	3.2	5.7	26.4	7.0	13.5	6.2	Black
SV 3.5-4	#8	4.3	8.0	26.4	7.0			
SV 3.5-5	#10	5.3	8.0	26.4	7.0			
SV 3.5-6	1/4	6.4	12.0	28.0	12.1			

Cable size: 4~6mm<sup>2</sup> (A.W.G.12~10) Max current: I<sub>max</sub>=48A Material: copper Insulating material: nylon Thickness: 1.0mm

ITEM NO	USA screw	Screw dia. d2(mm)	Dimension (mm)					Color
			B	L	F	H	D φ	
SV 5.5-3.5	#6	3.7	7.1	24.8	7.5	13.5	6.7	Yellow
SVS 5.5-4	#8	4.3	8.3	26.0	7.5			
SVL 5.5-4	#8	4.3	9.0	26.0	7.5			
SV 5.5-5	#10	5.3	9.0	26.0	7.5			
SVS 5.5-6	1/4	6.4	9.0	26.0	7.5			
SVL 5.5-6	1/4	6.4	12.0	32.0	12.0			
SV 5.5-8	5/16	8.4	14.0	30.0	11.5			



## Pre-Insulated Fork Terminal, Easy Entry (EE)



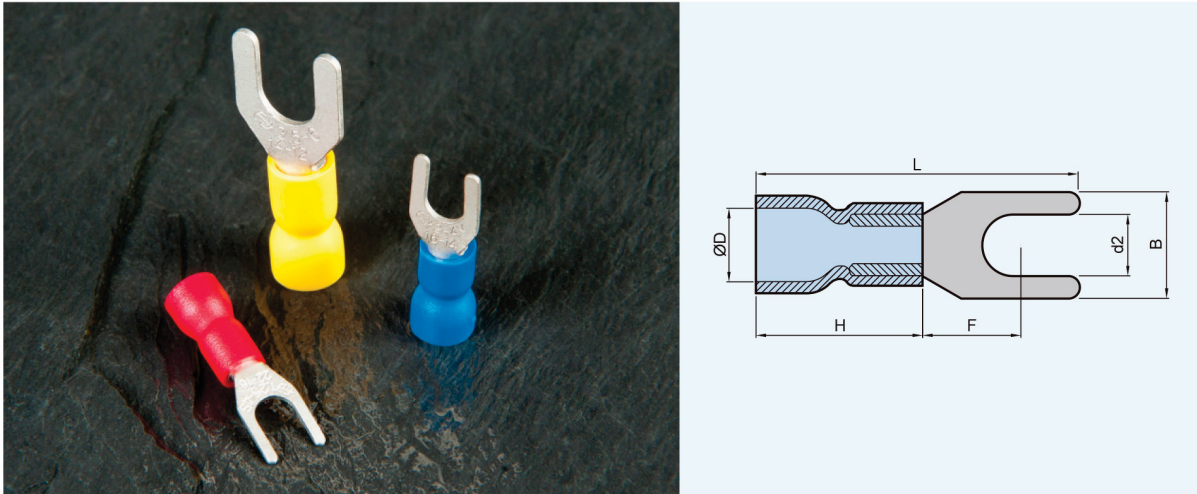
Cable size: 0.5~1.5mm<sup>2</sup> (A.W.G.22~16) Max current: I<sub>max</sub>=19A Material: copper Insulating material: nylon Thickness: 0.75mm

ITEM NO	USA screw	Screw dia. d2(mm)	Dimension (mm)					Color
			B	L	F	H	D φ	
SE 1.25-3	#4	3.2	5.7	21.2	6.5	10.0	4.3	Red
SES 1.25-3.5	#6	3.7	5.7	21.2	6.5			
SEL 1.25-3.5	#6	3.7	6.4	21.2	6.5			
SES 1.25-4	#8	4.3	6.4	21.2	6.5			
SEM 1.25-4	#8	4.3	7.2	21.2	6.5			
SEL 1.25-4	#8	4.3	8.1	21.2	6.5			
SES 1.25-5	#10	5.3	8.1	21.2	6.5			
SEL 1.25-5	#10	5.3	9.5	21.2	6.5			
SES 1.25-6	1/4	6.4	9.5	21.2	6.5			
SEL 1.25-6	1/4	6.4	12.0	27.2	11.0			

Cable size: 1.5~2.5mm<sup>2</sup> (A.W.G.16~14) Max current: I<sub>max</sub>=27A Material: copper Insulating material: nylon Thickness: 0.8mm

ITEM NO	USA screw	Screw dia. d2(mm)	Dimension (mm)					Color
			B	L	F	H	D φ	
SE 2-3	#4	3.2	5.7	21.2	6.5	10.0	4.9	Blue
SES 2-3.5	#6	3.7	5.7	21.2	6.5			
SEL 2-3.5	#6	3.7	6.0	21.2	6.5			
SES 2-4	#8	4.3	6.4	21.2	6.5			
SEM 2-4	#8	4.3	7.2	21.2	6.5			
SEL 2-4	#8	4.3	8.1	21.2	6.5			
SES 2-5	#10	5.3	8.1	21.2	6.5			
SEL 2-5	#10	5.3	9.5	21.2	6.5			
SES 2-6	1/4	6.4	9.5	21.2	6.5			
SEL 2-6	1/4	6.4	12.0	21.2	11.0			

# Pre-Insulated Fork Terminals, Easy Entry (EE)



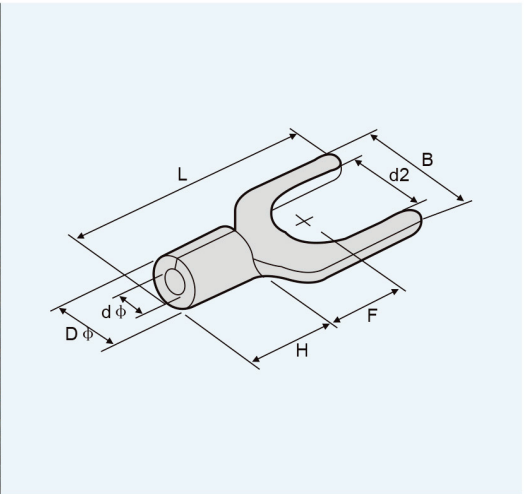
Cable size: 2.5~4mm<sup>2</sup> (A.W.G.14~12)    Max current: I<sub>max</sub>=37A    Material: copper    Insulating material: nylon    Thickness: 1.0mm

ITEM NO	USA screw	Screw dia. d2(mm)	Dimension (mm)					Color
			B	L	F	H	D φ	
SE 3.5-3	#4	3.2	5.7	24.8	7.0	13.0	6.2	Black
SE 3.5-4	#8	4.3	8.0	24.8	7.0			
SE 3.5-5	#10	5.3	8.0	24.8	7.0			
SE 3.5-6	1/4	6.4	12.0	28.0	12.1			

Cable size: 4~6mm<sup>2</sup> (A.W.G.12~10)    Max current: I<sub>max</sub>=48A    Material: copper    Insulating material: nylon    Thickness: 1.0mm

ITEM NO	USA screw	Screw dia. d2(mm)	Dimension (mm)					Color
			B	L	F	H	D φ	
SE 5.5-3.5	#6	3.7	8.3	25.2	7.5	13.0	6.7	Yellow
SES 5.5-4	#8	4.3	8.3	25.2	7.5			
SEL 5.5-4	#8	4.3	9.0	25.2	7.5			
SE 5.5-5	#10	5.3	9.0	25.2	7.5			
SES 5.5-6	1/4	6.4	9.0	25.2	7.5			
SEL 5.5-6	1/4	6.4	12.0	31.2	12.0			
SE 5.5-8	5/16	8.4	14.0	30.0	11.5			

## Un-Insulated Fork Terminals



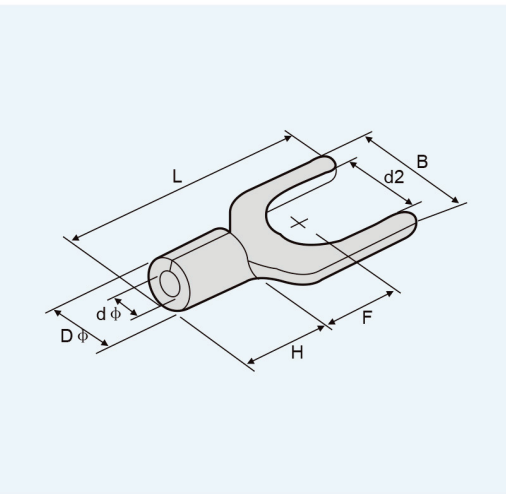
**Cable size: 0.5~1.5mm<sup>2</sup> (A.W.G.22~16) Max current: I<sub>max</sub>=19A Material: copper Thickness: 0.75mm**

ITEM NO	USA screw	Screw dia. d2(mm)	Dimension (mm)					
			B	L	F	H	D φ	d φ
SNB 1.25-3	#4	3.2	5.7	16.0	6.5	4.8	3.4	1.7
SNBS 1.25-3.5	#6	3.7	5.7	16.0	6.5			
SNBL 1.25-3.5	#6	3.7	6.4	16.0	6.5			
SNBM 1.25-4	#8	4.3	6.4	16.0	6.5			
SNBL 1.25-4	#8	4.3	7.2	16.0	6.5			
SNBS 1.25-5	#10	5.3	8.1	16.0	6.5			
SNBL 1.25-5	#10	5.3	9.5	16.0	6.5			
SNBS 1.25-6	1 / 4	6.4	9.5	16.0	6.5			
SNBL 1.25-6	1 / 4	6.4	12.0	22.0	11.0			

**Cable size: 1.5~2.5mm<sup>2</sup> (A.W.G.16~14) Max current: I<sub>max</sub>=27A Material: copper Thickness: 0.8mm**

ITEM NO	USA screw	Screw dia. d2(mm)	Dimension (mm)					
			B	L	F	H	D φ	d φ
SNB 2-3	#4	3.2	5.7	16.0	6.5	4.8	4.1	2.3
SNBS 2-3.5	#6	3.7	5.7	16.0	6.5			
SNBL 2-3.5	#6	3.7	6.4	16.0	6.5			
SNBS 2-4	#8	4.3	6.4	16.0	6.5			
SNBM 2-4	#8	4.3	7.2	16.0	6.5			
SNBL 2-4	#8	4.3	8.1	16.0	6.5			
SNBS 2-5	#10	5.3	8.1	16.0	6.5			
SNBL 2-5	#10	5.3	9.5	16.0	6.5			
SNBS 2-6	1 / 4	6.4	9.5	16.0	6.5			
SNBL 2-6	1 / 4	6.4	12.0	22.0	11.0			

# Un-Insulated Fork Terminals



**Cable size:** 2.5~4mm<sup>2</sup> (A.W.G14~12)    **Max current:** I<sub>max</sub>=37A    **Material:** copper    **Thickness:** 1.0mm

ITEM NO	USA screw	Screw dia. d2(mm)	Dimension (mm)					
			B	L	F	H	Dφ	dφ
SNB 3.5-3	#4	3.2	5.7	18.3	7.0	6.0	5.0	3.0
SNB 3.5-4	#8	4.3	8.0	18.3	7.0			
SNB 3.5-5	#10	5.3	8.0	18.3	7.0			
SNB 3.5-6	1/4	6.4	12.0	21.5	12.1			

**Cable size:** 4~6mm (A.W2 .G.12~10)    **Max current:** I<sub>max</sub>=48A    **Material:** copper    **Thickness:** 1.0mm

ITEM NO	USA screw	Screw dia. d2(mm)	Dimension (mm)					
			B	L	F	H	Dφ	dφ
SNB 5.5-3.5	#6	3.7	7.1	18.0	7.5	6.8	5.4	3.4
SNBS 5.5-4	#8	4.3	8.3	19.5	7.5			
SNBL 5.5-4	#8	4.3	9.0	19.5	7.5			
SNB 5.5-5	#10	5.3	9.0	19.5	7.5			
SNBS 5.5-6	1/4	6.4	9.0	19.5	7.5			
SNBL 5.5-6	1/4	6.4	12.0	25.5	12.0			
SNB 5.5-8	5/16	8.4	14.0	24.5	11.5			

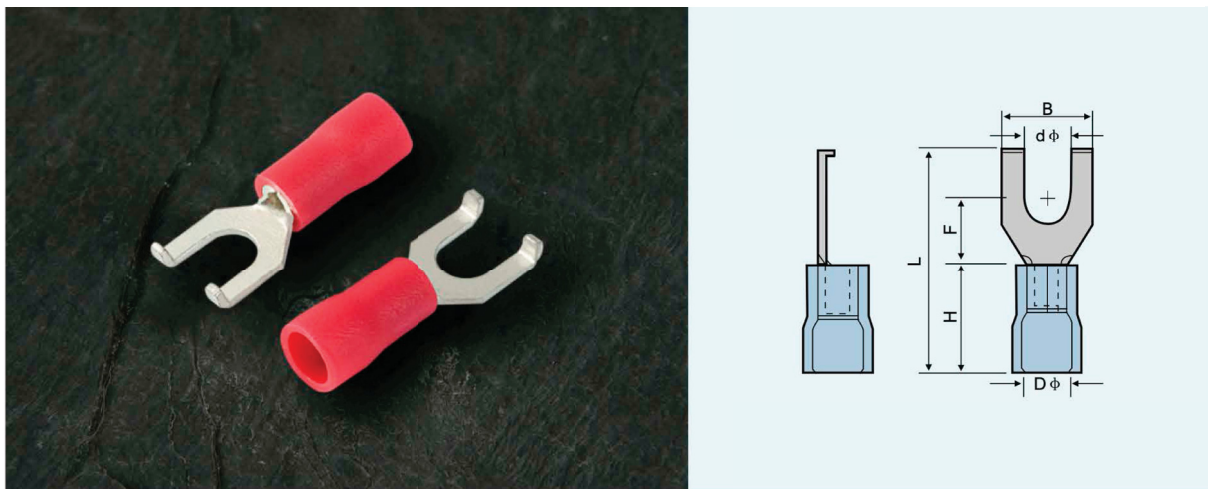
**Cable size:** 6~10mm (A.W2 .G.10~8)

**Material:** copper    **Thickness:** 1.2mm 1.4mm 1.7mm

ITEM NO	USA screw	Screw dia. d2(mm)	Dimension (mm)					
			B	L	F	H	Dφ	dφ
SNB 8-4	#8	4.3	8.7	23.0	6.0	8.5	7.2	4.5
SNB 8-5	#10	5.3	12.0	24.5	5.7	8.5	7.2	4.5
SNB 8-6	1/4	6.4	12.0	24.5	5.7	8.5	7.2	4.5
SNB 8-8	5/16	8.4	14.5	28.0	8.3	8.5	7.2	4.5
SNB 14-6	1/4	6.4	12.0	28.0	7.5	10.5	9.0	5.8
SNB 14-8	5/16	8.4	14.0	28.0	7.5	10.5	9.0	5.8
SNB 22-8	5/16	8.4	14.0	34.5	9.0	12.0	11.5	7.7



## Pre-Insulated Fork Terminals, Flanged



**Cable size: 0.5~1.5mm<sup>2</sup>(A.W.G.22-16) Max current: I<sub>max</sub> =19A Material: Copper Insulated material: PVC Thickness: 0.75mm**

ITEM NO	USA scerew	Screw dia. d φ (mm)	Dimension (mm)					Color
			B	L	F	H	D φ	
FSV 1.25-3.5	#6	3.7	7.5	19.0	5.1	10.0	4.3	Red
FSV 1.25-4	#8	4.3	7.5	19.0	5.1			
FSV 1.25-5	#10	5.3	7.5	19.0	5.1			

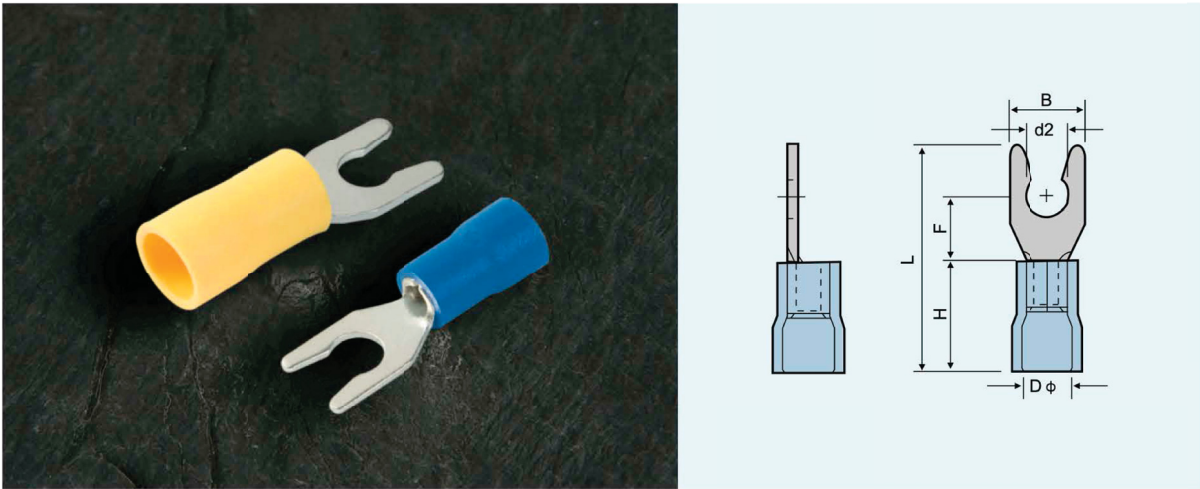
**Cable size: 1.5~2.5mm<sup>2</sup>(A.W.G.16-14) Max current: I<sub>max</sub> =27A Material: Copper Insulated material: PVC Thickness: 0.8mm**

ITEM NO	USA scerew	Screw dia. d φ (mm)	Dimension (mm)					Color
			B	L	F	H	D φ	
FSV 2-3.5	#6	3.7	7.5	19.0	5.2	10.0	4.9	Blue
FSV 2-4	#8	4.3	7.5	19.0	5.2			
FSV 2-5	#10	5.3	7.5	19.0	5.2			

**Cable size: 4~6mm<sup>2</sup>(A.W.G.12-10) Max current: I<sub>max</sub> =48A Material: Copper Insulated material: PVC Thickness: 1.0mm**

ITEM NO	USA scerew	Screw dia. d φ (mm)	Dimension (mm)					Color
			B	L	F	H	D φ	
FSV 5.5-3.5	#6	3.7	8.5	25.5	7.5	13.0	6.7	Yellow
FSV 5.5-4	#8	4.3	8.5	25.5	7.5			
FSV 5.5-5	#10	5.3	8.5	25.2	7.5			

# Pre-Insulated Fork Terminals, Locking



**Cable size: 0.5~1.5mm<sup>2</sup>(A.W.G.22-16) Max current: I<sub>max</sub> =19A Material: Copper Insulated material: PVC Thickness: 0.75mm**

ITEM NO	USA screw	Screw dia. d2(mm)	Dimension (mm)					Color
			B	L	F	H	Dφ	
LSV 1.25-3.5	#6	3.7	6.4	21.2	6.5	10.0	4.3	Red
LSVS 1.25-4	#8	4.3	7.2	21.2	6.5			
LSVL 1.25-4	#8	4.3	8.1	21.2	6.5			
LSVS 1.25-5	#10	5.3	8.1	21.2	6.5			
LSVL1.25-5	#10	5.3	9.5	21.2	6.5			

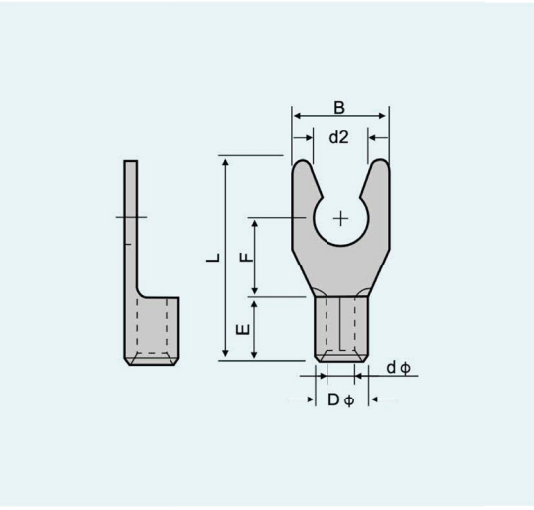
**Cable size: 1.5~2.5mm<sup>2</sup>(A.W.G.16-14) Max current: I<sub>max</sub> =27A Material: Copper Insulated material: PVC Thickness: 0.8mm**

ITEM NO	USA screw	Screw dia. d2(mm)	Dimension (mm)					Color
			B	L	F	H	Dφ	
LSV 2-3.5	#6	3.7	6.0	21.2	6.5	10.0	4.9	Blue
LSVS 2-4	#8	4.3	7.2	21.2	6.5			
LSVL 2-4	#8	4.3	8.1	21.2	6.5			
LSVS 2-5	#10	5.3	8.1	21.2	6.5			
LSVL 2-5	#10	5.3	9.5	21.2	6.5			

**Cable size: 4~6mm<sup>2</sup>(A.W.G.12-10) Max current: I<sub>max</sub> =48A Material: Copper Insulated material: PVC Thickness: 1.0mm**

ITEM NO	USA screw	Screw dia. d2(mm)	Dimension (mm)					Color
			B	L	F	H	Dφ	
LSV 5.5-3.5	#6	3.7	8.3	25.2	7.5	13.0	6.7	Yellow
LSV 5.5-4	#8	4.3	8.3	25.2	7.5			
LSV 5.5-5	#10	5.3	9.0	23.9	7.5			
LSV 5.5-6	1/4	6.4	12.0	31.2	12.0			

# Un-Insulated Fork Terminals, Locking



**Max current: I<sub>max</sub>=19A    Material: Copper    Thickness: 0.75mm**

ITEM NO	Screw size d2(mm)	Dimension (mm)						Cable size (mm <sup>2</sup> )
		B	F	L	E	D φ	d φ	
LSNB 1.25-3.5	3.7	6.4	6.5	16.0	4.8	3.4	1.7	22-16 A.W.G 0.5-1.5 mm <sup>2</sup>
LSNBS 1.25-4	4.3	7.2						
LSNBL 1.25-4	4.3	8.1						
LSNBS 1.25-5	5.3	8.1						
LSNBL 1.25-5	5.3	9.5						

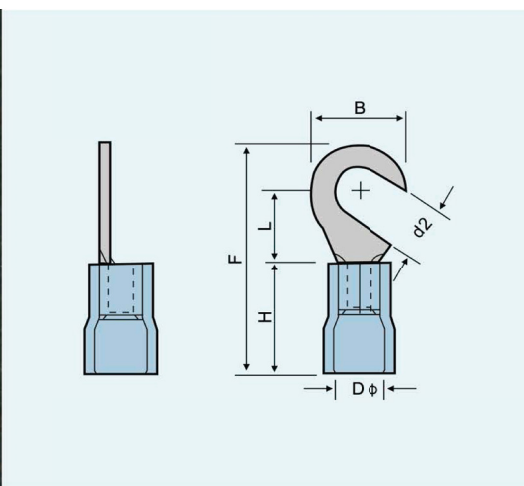
**Max current: I<sub>max</sub>=27A    Material: Copper    Thickness: 0.8mm**

ITEM NO	Screw size d2(mm)	Dimension (mm)						Cable size (mm <sup>2</sup> )
		B	F	L	E	D φ	d φ	
LSNB 2-3.5	3.7	6.4	6.5	16.0	4.8	4.1	2.3	16-14 A.W.G 1.5-2.5 mm <sup>2</sup>
LSNBS 2-4	4.3	7.2						
LSNBL 2-4	4.3	8.1						
LSNBS 2-5	5.3	8.1						
LSNBL 2-5	5.3	9.5						

**Max current: I<sub>max</sub>=48A    Material: Copper    Thickness: 1.0mm**

ITEM NO	Screw size d2(mm)	Dimension (mm)						Cable size (mm <sup>2</sup> )
		B	F	L	E	D φ	d φ	
LSNB 5.5-3.5	3.7	8.3	7.5	19.5	6.0	5.6	3.4	12-10 A.W.G 4-6 mm <sup>2</sup>
LSNB 5.5-4	4.3	8.3						
LSNB 5.5-5	5.3	9.0						
LSNB 5.5-6	6.4	12.0						

## Pre-Insulated Hook Terminals



**Cable size: 0.5~1.5mm<sup>2</sup>(A.W.G.22-16) Max current: I<sub>max</sub> =19A Material: Copper Insulated material: PVC Thickness: 0.75mm**

ITEM NO	USA scerew	Screw dia. d2(mm)	Dimension (mm)					Color
			B	L	F	H	D φ	
HV 1.25-3.5	#6	3.7	8.0	21.0	7.0	10.0	4.3	Red
HV 1.25-4	#8	4.3	8.0	21.0	7.0			
HV 1.25-5	#10	5.3	8.0	21.0	7.0			
HV 1.25-6	1/ 4	6.4	11.6	27.0	11.1			

**Cable size: 1.5~2.5mm<sup>2</sup>(A.W.G.16-14) Max current: I<sub>max</sub> =27A Material: Copper Insulated material:PVC Thickness: 0.8mm**

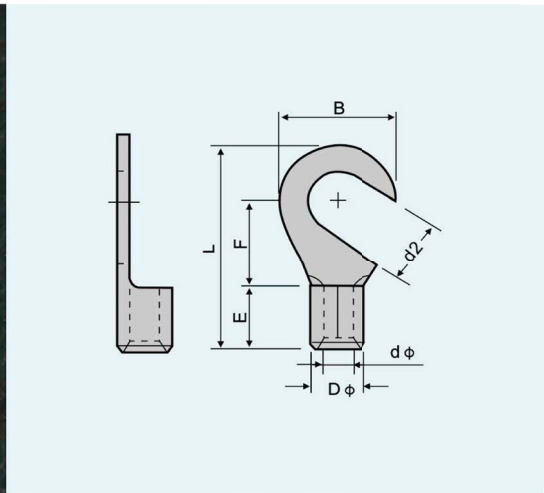
ITEM NO	USA scerew	Screw dia. d2(mm)	Dimension (mm)					Color
			B	L	F	H	D φ	
HV 2-3.5	#6	3.7	8.5	22.0	7.75	10.0	4.9	Blue
HV 2-4	#8	4.3	8.5	22.0	7.75			
HV 2-5	#10	5.3	9.5	22.0	7.25			
HV 2-6	1/ 4	6.4	12.0	27.0	11.0			

**Cable size: 4~6mm<sup>2</sup>(A.W.G.12-10) Max current: I<sub>max</sub> =48A Material: Copper Insulated material: PVC Thickness: 1.0mm**

ITEM NO	USA scerew	Screw dia. d2(mm)	Dimension (mm)					Color
			B	L	F	H	D φ	
HV 5.5-3.5	#6	3.7	7.2	21.4	5.9	13.0	6.7	Yellow
HV 5.5-4	#8	4.3	9.5	25.5	8.25			
HV 5.5-5	#10	5.3	9.5	25.5	8.25			
HV 5.5-6	1/ 4	6.4	12.0	31.5	13.0			



# Un-Insulated Hook Terminals



**Max current: I<sub>max</sub>=19A    Material: Copper    Thickness: 0.75mm**

ITEM NO	Screw size d2(mm)	Dimension (mm)						cable size (mm <sup>2</sup> )
		B	F	L	E	Dφ	dφ	
HNB 1.25-3.5	3.7	8.0	7.0	15.8	4.8	3.4	1.7	22-16 A.W.G 0.5-1.5 mm <sup>2</sup>
HNB 1.25-4	4.3							
HNB 1.25-5	5.3							
HNB 1.25-6	6.4	11.6	11.0	21.8				

**Max current: I<sub>max</sub>=27A    Material: Copper    Thickness: 0.8mm**

ITEM NO	Screw size d2(mm)	Dimension (mm)						cable size (mm <sup>2</sup> )
		B	F	L	E	Dφ	dφ	
HNB 2-3.5	3.7	8.5	7.8	16.8	4.8	4.1	2.3	16-14 A.W.G: 1.5-2.5 mm <sup>2</sup>
HNB 2-4	4.3							
HNB 2-5	5.3	9.5	7.3					
HNB 2-6	6.4	12.0	11.0	21.8				

**Max current: I<sub>max</sub>=48A    Material: Copper    Thickness: 1.0mm**

ITEM NO	Screw size d2(mm)	Dimension (mm)						cable size (mm <sup>2</sup> )
		B	F	L	E	Dφ	dφ	
HNB 5.5-3.5	3.7	9.5	9.5	19.8	6.0	5.6	3.4	12-10 A.W.G 4-6 mm <sup>2</sup>
HNB 5.5-4	4.3							
HNB 5.5-5	5.3							
HNB 5.5-6	6.4	12.0	10.3	22.5				
HNB 5.5-8	8.4	15.0	13.5	27.0				

**Max current: I<sub>max</sub>=62A    Material: Copper    Thickness: 1.2mm**

ITEM NO	Screw size d2(mm)	Dimension (mm)						cable size (mm <sup>2</sup> )
		B	F	L	E	Dφ	dφ	
HNB 8-8	8.4	15.0	13.8	29.5	8.5	7.2	4.5	10-8 A.W.G 6-10 mm <sup>2</sup>

## Pre-Insulated Pin Terminals



**Cable size: 0.5~1.5mm<sup>2</sup> (A.W.G. 22-16) Max current: I<sub>max</sub>=19A Material: copper Insulating material: nylon Thickness: 0.75mm**

ITEM NO	Dimension (mm)				Color
	F	L	H	D φ	
PTV 1.25-9	1.9	19.0	10.0	4.3	Red
PTV 1.25-10	1.9	20.0			
PTV 1.25-12	1.9	22.0			
PTV 1.25-13	1.9	23.0			
PTV 1.25-18	1.9	28.0			

**Cable size: 1.5~2.5mm<sup>2</sup> (A.W.G. 16-14) Max current: I<sub>max</sub>=27A Material: copper Insulating material: nylon Thickness: 0.8mm**

ITEM NO	Dimension (mm)				Color
	F	L	H	D φ	
PTV 2-9	1.9	19.0	10.0	4.9	Blue
PTV 2-10	1.9	20.0			
PTV 2-12	1.9	22.0			
PTV 2-13	1.9	23.0			
PTV 2-18	1.9	28.0			

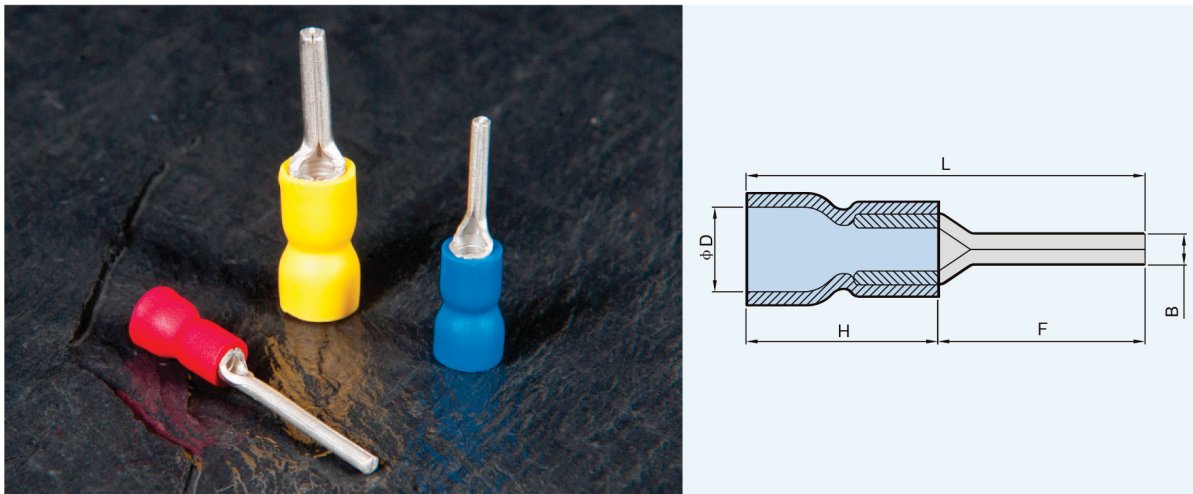
**Cable size: 2.5~4mm<sup>2</sup> (A.W.G. 14-12) Max current: I<sub>max</sub>=36A Material: copper Insulated material: nylon thickness: 1.0mm**

ITEM NO	Dimension (mm)				Color
	F	L	H	D φ	
PTV 3.5-10	2.8	20.0	13.0	6.2	Blue
PTV 3.5-13	2.8	25.0			

**Cable size: 4~6mm<sup>2</sup> (A.W.G. 12-10) Max current: I<sub>max</sub>=48A Material: copper Insulating material: nylon Thickness: 1.0mm**

ITEM NO	Dimension (mm)				Color
	F	L	H	D φ	
PTV 5.5-13	2.8	25.5	13.0	6.7	Yellow
PTV 5.5-18	2.8	30.5	13.0	6.7	

# Pre-Insulated Pin Terminals, Easy Entry (EE)



Cable size: 0.5~1.5mm<sup>2</sup> (A.W.G. 22-16) Max current: I<sub>max</sub>=19A Material: copper Insulating material: nylon Thickness: 0.75mm

ITEM NO	Dimension (mm)				Color
	F	L	H	D φ	
PTE 1.25-9	1.9	19.0	10.0	4.3	Red
PTE 1.25-10	1.9	20.0			
PTE 1.25-12	1.9	22.0			
PTE 1.25-13	1.9	23.0			
PTE 1.25-18	1.9	28.0			

Cable size: 1.5~2.5mm<sup>2</sup> (A.W.G. 16-14) Max current: I<sub>max</sub>=27A Material: copper Insulating material: nylon Thickness: 0.8mm

ITEM NO	Dimension (mm)				Color
	F	L	H	D φ	
PTE 2-9	1.9	19.0	10.0	4.9	Blue
PTE 2-10	1.9	20.0			
PTE 2-12	1.9	22.0			
PTE 2-13	1.9	23.0			
PTE 2-18	1.9	28.0			

Cable size: 2.5~4mm<sup>2</sup> (A.W.G. 14-12) Max current: I<sub>max</sub>=36A Material: copper Insulated material: nylon Thickness: 1.0mm

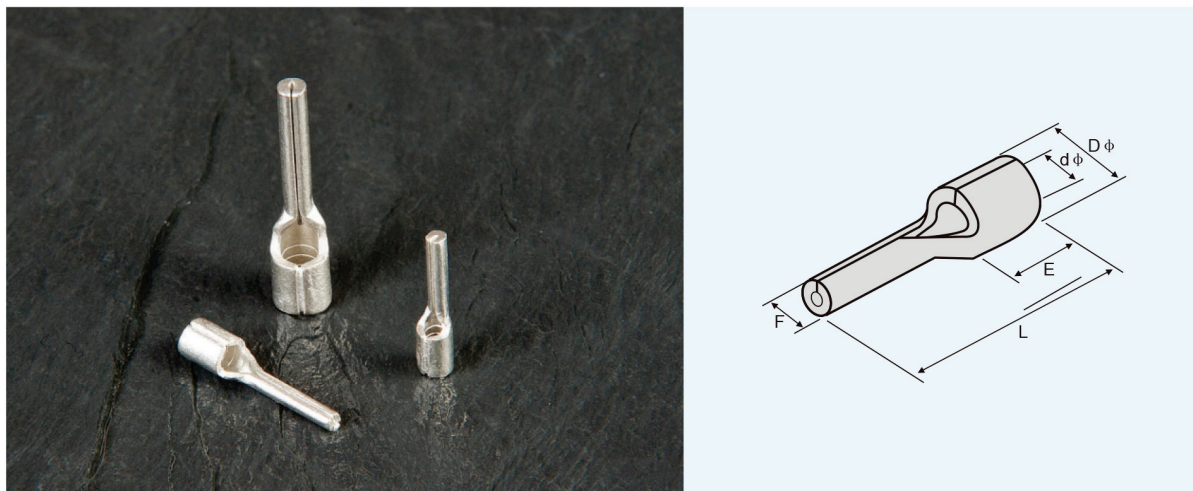
ITEM NO	Dimension (mm)				Color
	F	L	H	D φ	
PTE 3.5-10	2.8	20.0	13.0	6.2	Blue
PTE 3.5-13	2.8	25.0			

Cable size: 4~6mm<sup>2</sup> (A.W.G. 12-10) Max current: I<sub>max</sub>=48A Material: copper Insulating material: nylon Thickness: 1.0mm

ITEM NO	Dimension (mm)				Color
	F	L	H	D φ	
PTE 5.5-13	2.8	25.5	13.0	6.7	Yellow
PTE 5.5-18	2.8	30.5	13.0	6.7	



## Un-Insulated Pin Terminals



**Cable size: 0.5~1.5mm<sup>2</sup>(A.W.G. 22-16) Max current: I<sub>max</sub>=19A Material: copper Thickness: 0.75mm**

ITEM NO	Dimension (mm)				
	F	L	E	D φ	d φ
PTN 1.25-9	1.9	13.8	4.8	3.4	1.7
PTN 1.25-10	1.9	14.8			
PTN 1.25-12	1.9	16.8			
PTN 1.25-13	1.9	17.8			
PTN 1.25-18	1.9	22.8			

**Cable size: 1.5~2.5mm<sup>2</sup>(A.W.G. 16-14) Max current: I<sub>max</sub>=27A Material: copper Thickness: 0.8mm**

ITEM NO	Dimension (mm)				
	F	L	E	D φ	d φ
PTN 2-9	1.9	13.8	4.8	4.1	2.3
PTN 2-10	1.9	14.8			
PTN 2-12	1.9	16.8			
PTN 2-13	1.9	17.8			
PTN 2-18	1.9	22.8			

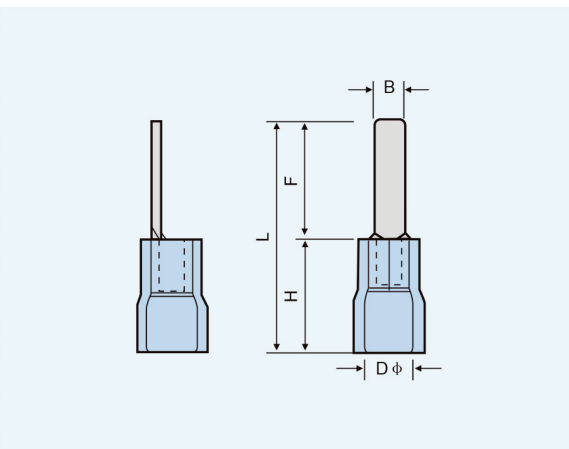
**Cable size: 2.5~4mm<sup>2</sup>(A.W.G. 14-12) Max current: I<sub>max</sub>=37A Material: copper Thickness: 1.0mm**

ITEM NO	Dimension (mm)				
	F	L	E	D φ	d φ
PTN 3.5-10	2.8	14.8	6.0	5.0	3.0
PTN 3.5-13	2.8	19.8			

**Cable size: 4~6mm<sup>2</sup>(A.W.G. 12-10) Max current: I<sub>max</sub>=48A Material: copper Thickness: 1.0mm**

ITEM NO	Dimension (mm)				
	F	L	E	D φ	d φ
PTN 5.5-13	2.8	19.8	6.0	5.6	3.4
PTN 5.5-18	2.8	24.8	6.0	5.6	3.4

## Pre-Insulated Blade Terminals



**Cable size: 0.5~1.5mm<sup>2</sup> (A.W.G. 22-16) Max current: I<sub>max</sub>=19A Material: copper Insulated material: nylon Thickness: 0.75mm**

ITEM NO	Dimension (mm)					Color
	B	L	F	H	D φ	
DBV 1.25-10	2.3	20.0	10.0	10.0	4.3	Red
DBV 1.25-11	2.3	21.0	11.0			
DBV 1.25-14	2.3	24.0	14.0			
DBV 1.25-18	2.3	28.0	18.0			

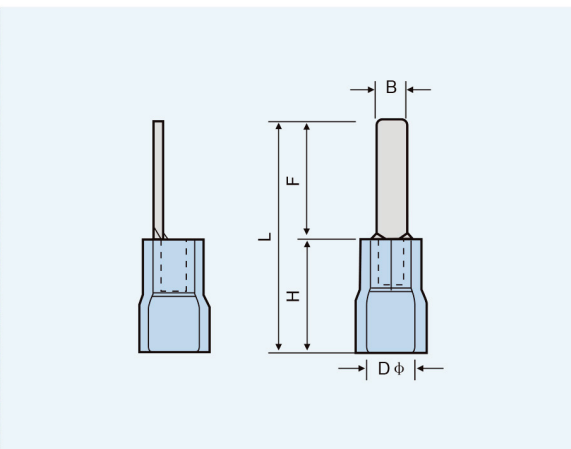
**Cable size: 1.5~2.5mm<sup>2</sup> (A.W.G. 16-14) Max current: I<sub>max</sub>=27A Material: copper Insulated material: nylon Thickness: 0.8mm**

ITEM NO	Dimension (mm)					Color
	B	L	F	H	D φ	
DBV 2-10	2.3	19.0	9.0	10.0	4.9	Blue
DBV 2-14	2.3	24.0	14.0			
DBV 2-18	2.3	28.0	18.0			

**Cable size: 4~6mm<sup>2</sup> (A.W.G. 12-10) Max current: I<sub>max</sub>=48A Material: copper Insulated material: nylon Thickness: 1.0mm**

ITEM NO	Dimension (mm)					Color
	B	L	F	H	D φ	
DBV 5.5-10	2.8	22.5	10.0	13.0	5.6	Yellow
DBV 5.5-14	4.5	26.5	14.0			
DBV 5.5-18	4.5	30.5	18.0			

## Pre-Insulated Blade Terminals, Extra Copper Sleeve (ECS)



**Cable size:**0.5~1.5mm<sup>2</sup> (A.W.G. 22-16) **Max current:** I<sub>max</sub>=19A **Material:** copper **Insulated material:** nylon **Thickness:** 0.75mm

ITEM NO	Dimension (mm)					Color
	B	L	F	H	D φ	
DBV 1.25-10	2.3	20.0	10.0	10.0	4.3	Red
DBV 1.25-11	2.3	21.0	11.0			
DBV 1.25-14	2.3	24.0	14.0			
DBV 1.25-18	2.3	28.0	18.0			

**Cable size:**1.5~2.5mm<sup>2</sup>(A.W.G. 16-14) **Max current:** I<sub>max</sub>=27A **Material:** copper **Insulated material:** nylon **Thickness:** 0.8mm

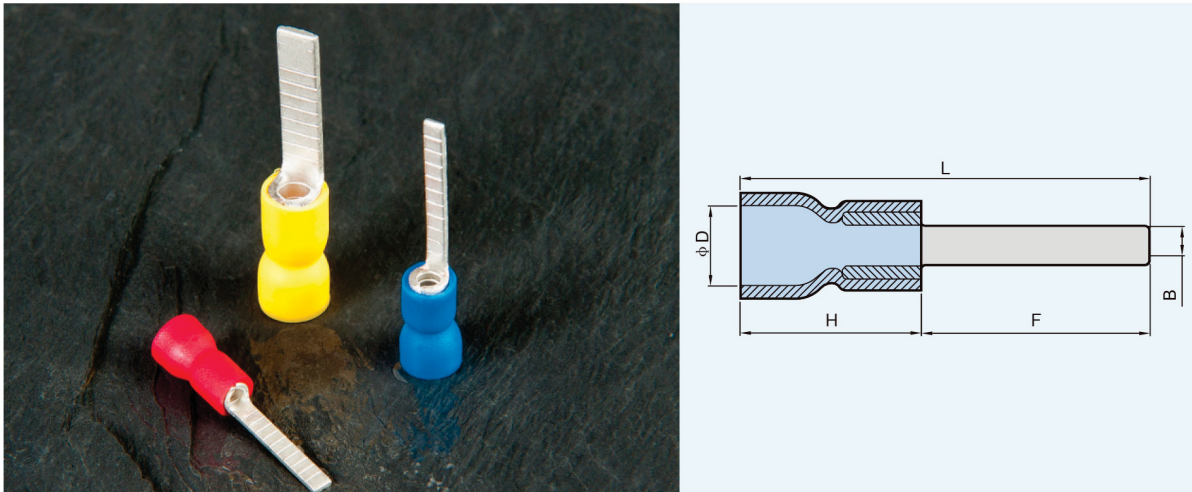
ITEM NO	Dimension (mm)					Color
	B	L	F	H	D φ	
DBV 2-10	2.3	19.0	9.0	10.0	4.9	Blue
DBV 2-14	2.3	24.0	14.0			
DBV 2-18	2.3	28.0	18.0			

**Cable size:**4~6mm<sup>2</sup>(A.W.G. 12-10) **Max current:** I<sub>max</sub>=48A **Material:** copper **Insulated material:** nylon **Thickness:** 1.0mm

ITEM NO	Dimension (mm)					Color
	B	L	F	H	D φ	
DBV 5.5-10	2.8	22.5	10.0	13.0	5.6	Yellow
DBV 5.5-14	4.5	26.5	14.0			
DBV 5.5-18	4.5	30.5	18.0			



## Pre-Insulated Blade Terminals, Easy Entry (EE)



Cable size: 0.5~1.5mm<sup>2</sup> (A.W.G. 22-16) Max current: I<sub>max</sub>=19A Material: copper Insulated material: nylon Thickness: 0.75mm

ITEM NO	Dimension (mm)					Color
	B	L	F	H	D φ	
DBE 1.25-10	2.3	20.0	10.0	10.0	4.3	Red
DBE 1.25-11	2.3	21.0	11.0			
DBE 1.25-14	2.3	24.0	14.0			
DBE 1.25-18	2.3	28.0	18.0			

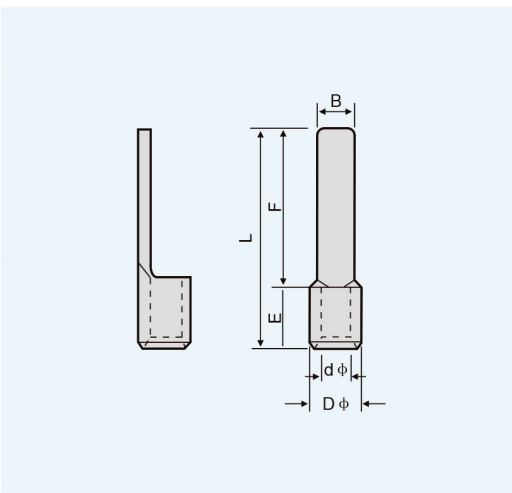
Cable size: 1.5~2.5mm<sup>2</sup> (A.W.G. 16-14) Max current: I<sub>max</sub>=27A Material: copper Insulated material: nylon Thickness: 0.8mm

ITEM NO	Dimension (mm)					Color
	B	L	F	H	D φ	
DBE 2-10	2.3	19.0	9.0	10.0	4.9	Blue
DBE 2-14	2.3	24.0	14.0			
DBE 2-18	2.3	28.0	18.0			

Cable size: 4~6mm<sup>2</sup> (A.W.G. 12-10) Max current: I<sub>max</sub>=48A Material: copper Insulated material: nylon Thickness: 1.0mm

ITEM NO	Dimension (mm)					Color
	B	L	F	H	D φ	
DBE 5.5-10	2.8	22.5	10.0	13.0	5.6	Yellow
DBE 5.5-14	4.5	26.5	14.0			
DBE 5.5-18	4.5	30.5	18.0			

## Un-Insulated Blade Terminals



**Cable size:**0.5~1.5mm<sup>2</sup>(A.W.G. 22-16)    **max current:** I<sub>max</sub>=19A    **material:** copper    **thickness:** 0.75mm

ITEM NO	Dimension (mm)					
	B	L	F	E	D φ	d φ
DBN 1.25-10	2.3	14.8	10.0	4.8	3.4	1.7
DBN 1.25-11	2.3	15.8	11.0			
DBN 1.25-14	2.3	18.8	14.0			
DBN 1.25-18	2.3	22.8	18.0			

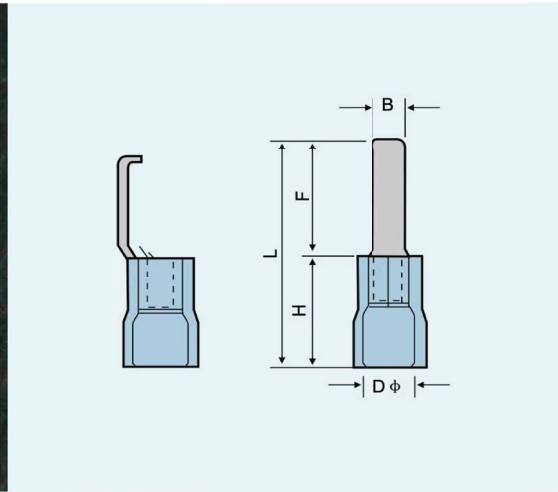
**Cable size:**1.5~2.5mm<sup>2</sup>(A.W.G. 16-14)    **max current:** I<sub>max</sub>=27A    **material:** copper    **thickness:** 0.8mm

ITEM NO	Dimension (mm)					
	B	L	F	E	D φ	d φ
DBN 2-9	2.3	13.8	9.0	4.8	4.1	2.3
DBN 2-14	2.3	18.8	14.0			
DBN 2-18	2.3	22.8	18.0			

**Cable size:**4~6mm<sup>2</sup>(A.W.G. 12-10)    **max current:** I<sub>max</sub>=48A    **material:** copper    **thickness:** 1.0mm

ITEM NO	Dimension (mm)					
	B	L	F	E	D φ	d φ
DBN 5.5-10	2.8	14.8	10.0	6.0	5.6	3.4
DBN 5.5-14	4.5	21.0	14.0			
DBN 5.5-18	4.5	23.0	18.0			
DBN 8-14	5.0	22.5	14.0	8.5	7.2	4.5
DBN 14-16	6.0	30.6	16.0	14.0	9.0	6.5

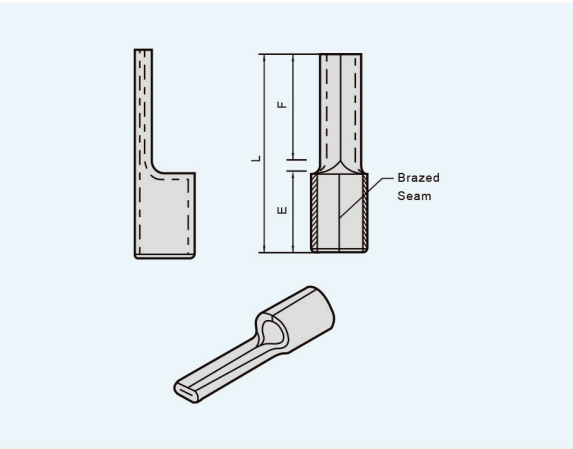
## Pre-Insulated Blade Terminals, Lipped



ITEM NO	Dimension (mm)					Cable size I max	Color
	B	L	F	H	D φ		
LBV 1.25-3	3.0	26.8	16.8	10.0	4.3	22-16 A.W.G 0.5-1.5mm <sup>2</sup> 10A	Red
LBV 1.25-4.6	4.6	26.8	16.8				
LBV 2-3	3.0	26.8	16.8	10.0	4.9	16-14 A.W.G 1.5-2.5mm <sup>2</sup> 15A	Blue
LBV 2-4.6	4.6	26.8	16.8				
LBV 5.5-3	3.0	29.3	16.8	13.0	6.7	12-10 A.W.G 4-6mm <sup>2</sup> 24A	Yellow
LBV 5.5-4.6	4.6	29.3	16.8				



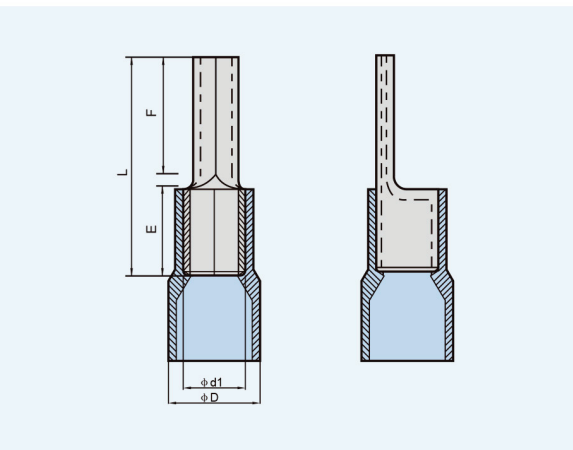
# Un-Insulated Pin Lug Terminals



Max current: I<sub>max</sub>=60-815A      Material: copper

NO.	Code	Dimension (mm)								Wire Size	I Max
		W	F	L	E	D	d1	H	T		
01	TNA10-12	4.3	12.0	22.0	8.0	6.9	4.7	2.4	1.0	6-10mm <sup>2</sup>	60A
02	TNA16-13	5.5	14.0	27.0	10.0	8.4	5.8	2.6	1.2	10-16mm <sup>2</sup>	90A
03	TNA25-15	6.8	16.0	33.5	13.5	9.5	7.0	2.6	1.2	16-25mm <sup>2</sup>	100A
04	TNA35-20	8.0	20.0	40.5	16.0	11.7	8.4	3.2	1.5	35mm <sup>2</sup>	120A
05	TNA50-22	9.5	20.0	45.5	19.0	13.6	9.6	3.8	1.8	50mm <sup>2</sup>	150A
06	TNA70-23	11.0	23.0	55.5	24.0	15.9	11.4	4.2	2.0	70mm <sup>2</sup>	210A
07	TNA95-27	12.5	27.0	55.5	25.0	18.9	13.5	5.2	2.5	95mm <sup>2</sup>	238A
08	TNA120-34	15.0	30.0	58.6	25.0	21.0	15.0	5.4	2.7	120mm <sup>2</sup>	300A
09	TNA150-37	16.5	30.0	63.5	27.8	23.1	16.5	6.4	3.3	150mm <sup>2</sup>	370A
10	TNA185-38	19.5	30.0	71.0	35.0	26.0	19.0	6.8	3.5	185mm <sup>2</sup>	400A
11	TNA240-44	21.5	32.0	83.5	40.7	29.0	21.0	8.2	4.0	240mm <sup>2</sup>	480A
12	TNA300-45	23.5	34.0	87.0	44.0	32.1	23.5	8.4	4.3	300mm <sup>2</sup>	560A
13	TNA400-48	27.0	35.0	93.0	48.4	36.0	27.0	8.8	4.5	400mm <sup>2</sup>	815A

# Pre-Insulated Pin Lug Terminals



Max current: I<sub>max</sub>=60-120A      Material: copper      Insulating material: pvc

NO.	Code	Dimension (mm)								Wire Size	I Max
		W	F	L	E	D	d1	H	T		
01	PTNB10-12	4.3	12.0	30.5	16.6	7.8	4.7	2.4	1.0	6-10mm <sup>2</sup>	60A
02	PTNB16-13	5.5	14.0	35.5	22.5	9.5	5.8	2.6	1.2	10-16mm <sup>2</sup>	90A
03	PTNB25-15	6.8	16.0	46.2	26.8	11.6	7.0	2.6	1.2	16-25mm <sup>2</sup>	100A
04	PTNB35-20	8.0	20.0	50.0	30.0	14.3	8.4	3.2	1.5	35mm <sup>2</sup>	120A

## Through Connectors (Butt Connectors)



Max current: 9A (0.2-0.5mm), 19A (0.5-1.5mm), 27A (1.5-2.5mm), 48A (4-6mm)  
 Max voltage:  $U_i=600V$  Temp:  $105^{\circ}C$  Material: copper Insulating material: nylon

ITEM NO	Dimension ( mm )			Joint material	Cable size (mm <sup>2</sup> )	Color
	L	D φ	d φ			
BNYF 0.5	20.0	2.0	1.3	Copper	26~22A.W.G 0.2~0.5mm	Yellow
BNYF 1.25	27.3	3.2	1.7	Copper	22~16A.W.G 0.5~1.5mm	Red
BNYF 2	27.3	3.8	2.3	Copper	16~14A.W.G 1.5~2.5mm	Bule
BNYF 5.5	27.3	5.3	3.4	Copper	12~10A.W.G 4~6mm	Yellow

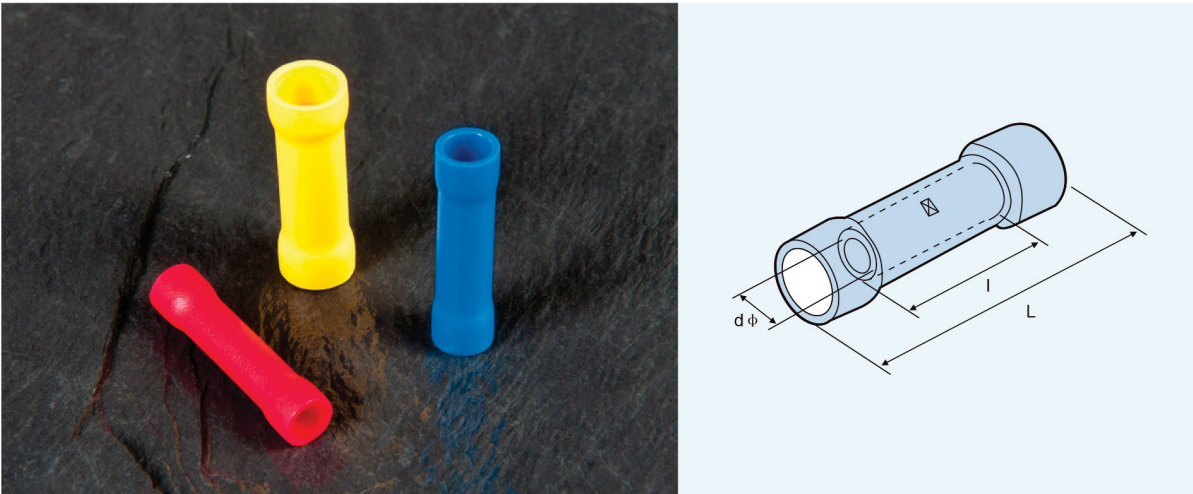
## Through Connectors\* (Butt Connectors\*)

Max current: 9A (0.2-0.5mm), 19A (0.5-1.5mm), 27A (1.5-2.5mm), 48A (4-6mm)  
 Max voltage:  $U_i=600V$  Temp:  $105^{\circ}C$  Material: copper Insulating material : pvc

ITEM NO	Dimension ( mm )			Joint material	Cable size (mm <sup>2</sup> )	Color
	L	D φ	d φ			
BNY 1.25	27.3	3.2	1.7	Copper	22~16A.W.G 0.5~1.5mm	Red
BNY 2	27.3	3.8	2.3	Copper	16~14A.W.G 1.5~2.5mm	Bule
BNY 5.5	27.3	5.3	3.4	Copper	12~10A.W.G 4~6mm	Yellow

NOTE: \*Out of production / Out of stock

## Through Connectors (Butt Connectors)



Material: copper Insulating material: PVC

ITEM NO	Cable size		Dimension (mm)			I <sub>max</sub>	Color
	A.W.G	mm <sup>2</sup>	l	d φ	L		
BV 1.25	22-16	0.5-1.5	15.0	1.7	26.0	19A	Red
BV 2	16-14	1.5-2.5	15.0	2.3	26.0	27A	Blue
BV 5.5	12-10	4-6	15.0	3.4	26.0	48A	Yellow
BV 8	#8	6-10	21.0	4.5	32.0	62A	Red
BV 14	#6	10-16	26.0	5.8	42.0	88A	Blue
BV 22	#4	16-25	29.0	7.7	50.0	115A	Yellow
BV 38	#2	35-50	32.0	9.4	55.0	160A	Red

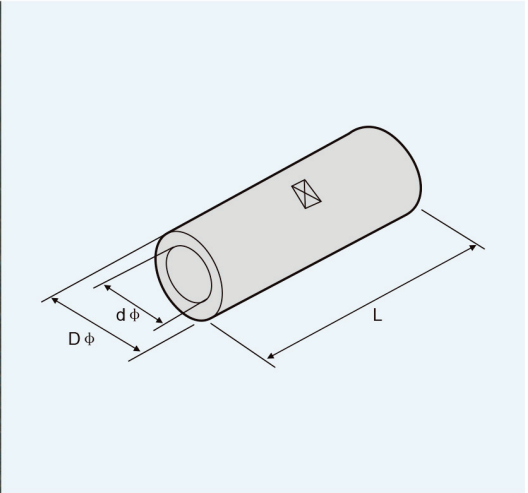
## Parallel Connectors

Material: copper Insulating material: PVC

ITEM NO	Cable size		Dimension (mm)			I <sub>max</sub>	Color
	A.W.G	mm <sup>2</sup>	l	d φ	L		
PVT 1.25	22-16	0.5-1.5	8.0	1.7	16.0	19A	Red
PVT 2	16-14	1.5-2.5	8.0	2.3	16.0	27A	Blue
PVT 5.5	12-10	4-6	8.5	3.4	20.0	48A	Yellow



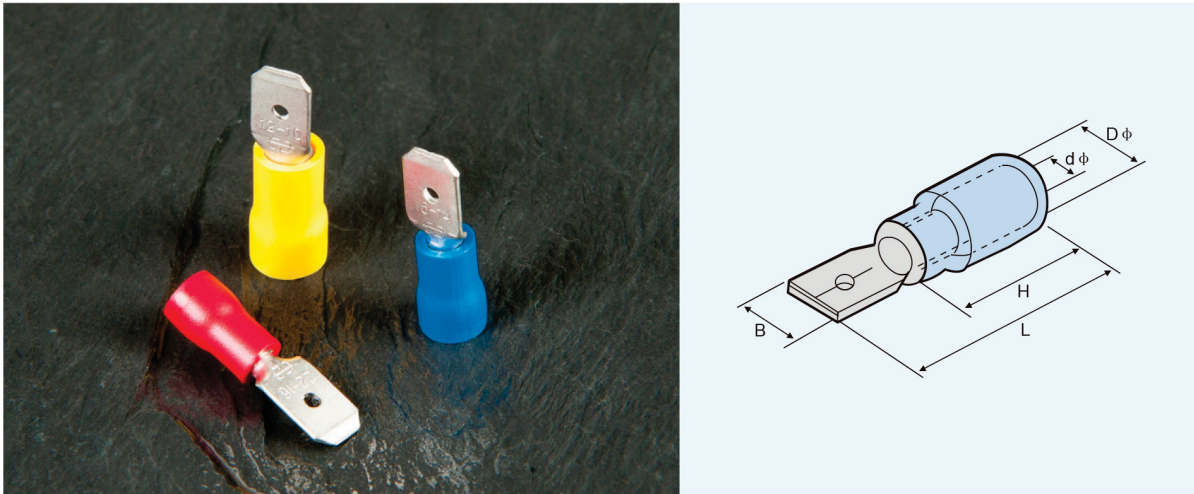
## Un-Insulated Through Connectors (Butt Connectors)



**Material: copper**

ITEM NO	Cable size		Dimension (mm)		
	A.W.G	mm <sup>2</sup>	D φ	d φ	L
BN 1.25	22-16	0.5-1.5	3.3	1.7	15.0
BN 2	16-14	1.5-2.5	4.0	2.3	15.0
BN 3.5	14-12	2.5-4	5.0	3.0	15.0
BN 5.5	12-10	4-6	5.5	3.4	15.0
BN 8	#8	10	7.1	4.5	21.0
BN 14	#6	16	9.0	5.8	26.0
BN 22	#4	25	11.4	7.7	39.0
BN 38	#2	35	13.3	9.4	32.0
BN 60	1/0	50	15.4	11.4	36.0
BN 70	2/0	70	17.5	13.3	37.0
BN 80	3/0	95	19.4	14.5	38.0
BN 100	4/0	120	22.0	16.4	38.0
BN 150	250-300MCM	150	26.5	19.5	54.0
BN 180	300-350MCM	185	28.5	21.0	57.0
BN 200	400MCM	240	32.5	24.0	63.0
BN 325	500-600MCM	300	37.0	28.0	72.0

# Pre-Insulated Tabs



**Cable size: 0.5~1.5mm<sup>2</sup>(A.W.G.22-16) Max current: I<sub>max</sub> =10A Material: Brass Insulating material: nylon**

ITEM NO	Nema Tab (mm)	Thickness of material	Dimension (mm)					Color
			B	d φ	D φ	L	H	
MDD 125-110(5)	0.5×2.8	0.5	2.8	1.7	4.3	17.7	10.0	Red
MDD 1.25-110(8)	0.8×2.8	0.8	2.8	1.7	4.3	17.7	10.0	
MDD 1.25-187(5)	0.5×4.75	0.5	4.75	1.7	4.3	20.0	10.0	
MDD 1.25-187(8)	0.8×4.75	0.8	4.75	1.7	4.3	20.0	10.0	
MDD 1.25-250	0.8×6.35	0.4×2	6.35	1.7	4.3	21.0	10.0	

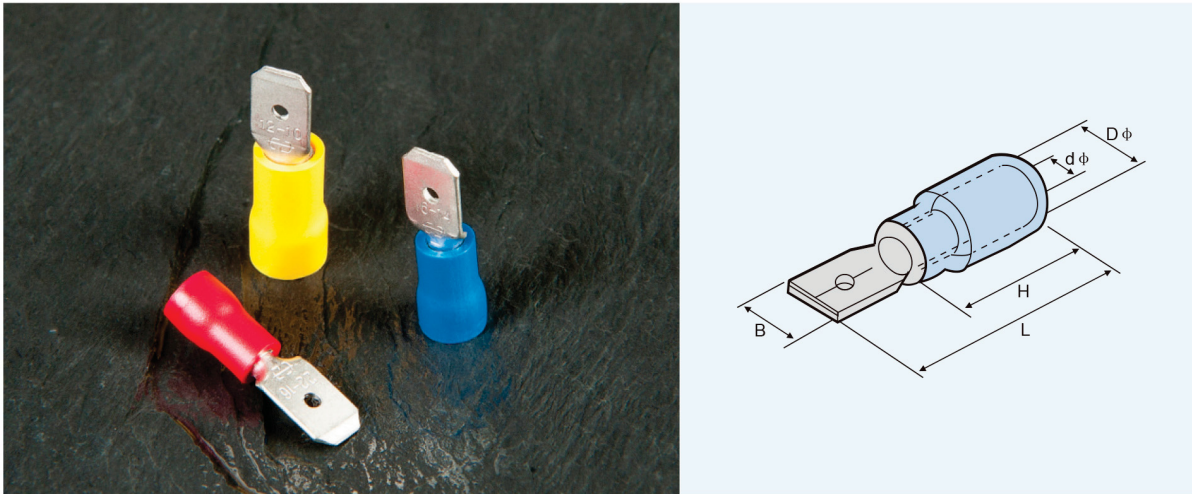
**Cable size: 1.5~2.5mm<sup>2</sup>(A.W.G.16-14) Max current: I<sub>max</sub> =15A Material: Brass Insulating material: nylon**

ITEM NO	Nema Tab (mm)	Thickness of material	Dimension (mm)					Color
			B	d φ	D φ	L	H	
MDD 2-187(5)	0.5×4.75	0.5	4.75	2.3	4.3	20.0	10.0	Blue
MDD 2-187(8)	0.8×4.75	0.8	4.75	2.3	4.3	20.0	10.0	
MDD 2-250	0.8×6.35	0.4×2	6.35	2.3	4.3	21.0	10.0	

**Cable size: 4~6mm<sup>2</sup>(A.W.G.12-10) Max current: I<sub>max</sub> =24A Material: Brass Insulating material: nylon**

ITEM NO	Nema Tab (mm)	Thickness of material	Dimension (mm)					Color
			B	d φ	D φ	L	H	
MDD 5.5-250	0.8×6.35	0.4×2	6.35	3.4	5.7	25.0	13.0	Yellow

## Pre-Insulated Tabs, Extra Copper Sleeve (ECS)



Cable size: 0.5~1.5mm<sup>2</sup>(A.W.G.22-16) Max current: I<sub>max</sub> =10A Material: Brass Insulating material: nylon

ITEM NO	Nema Tab (mm)	Thickness of material	Dimension (mm)					Color
			B	d φ	D φ	L	H	
MDD 125-110(5)	0.5×2.8	0.5	2.8	1.7	4.3	17.7	10.0	Red
MDD 1.25-110(8)	0.8×2.8	0.8	2.8	1.7	4.3	17.7	10.0	
MDD 1.25-187(5)	0.5×4.75	0.5	4.75	1.7	4.3	20.0	10.0	
MDD 1.25-187(8)	0.8×4.75	0.8	4.75	1.7	4.3	20.0	10.0	
MDD 1.25-250	0.8×6.35	0.4×2	6.35	1.7	4.3	21.0	10.0	

Cable size: 1.5~2.5mm<sup>2</sup>(A.W.G.16-14) Max current: I<sub>max</sub> =15A Material: Brass Insulating material: nylon

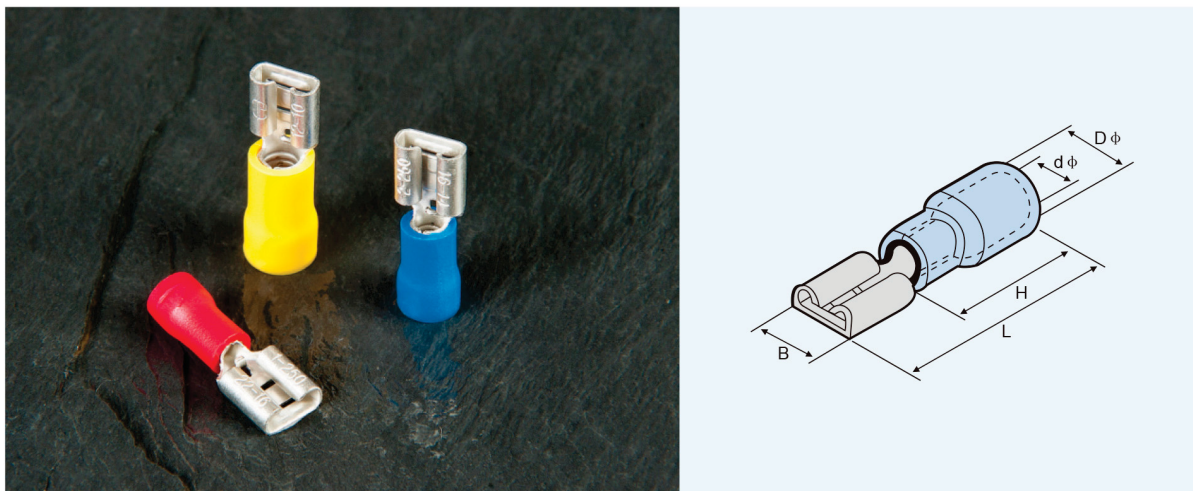
ITEM NO	Nema Tab (mm)	Thickness of material	Dimension (mm)					Color
			B	d φ	D φ	L	H	
MDD 2-187(5)	0.5×4.75	0.5	4.75	2.3	4.3	20.0	10.0	Blue
MDD 2-187(8)	0.8×4.75	0.8	4.75	2.3	4.3	20.0	10.0	
MDD 2-250	0.8×6.35	0.4×2	6.35	2.3	4.3	21.0	10.0	

Cable size: 4~6mm<sup>2</sup>(A.W.G.12-10) Max current: I<sub>max</sub> =24A Material: Brass Insulating material: nylon

ITEM NO	Nema Tab (mm)	Thickness of material	Dimension (mm)					Color
			B	d φ	D φ	L	H	
MDD 5.5-250	0.8×6.35	0.4×2	6.35	3.4	5.7	25.0	13.0	Yellow



## Pre-Insulated Receptacles, Rolled Type (RT)



**Cable size: 0.5~1.5mm<sup>2</sup>(A.W.G.22-16) Max current: I<sub>max</sub> =10A Material: Brass Insulating material: nylon**

ITEM NO	Nema Tab (mm)	Thickness of material	Dimension (mm)					Color
			B	D φ	d φ	L	H	
FDD 1.25-110(5)	0.5×2.8	0.3	3.8	3.8	1.7	19.0	10.0	Red
FDD 1.25-110(8)	0.8×2.8	0.3	3.8	3.8	1.7	19.0	10.0	
FDD 1.25-187(5)	0.5×4.75	0.35	5.6	3.8	1.7	19.0	10.0	
FDD 1.25-187(8)	0.8×4.75	0.35	5.6	3.8	1.7	19.0	10.0	
FDD 1.25-205	0.5×5.2	0.35	6.5	3.8	1.7	20.0	10.0	
FDD 1.25-250	0.8×6.35	0.4	7.4	3.8	1.7	21.0	10.0	

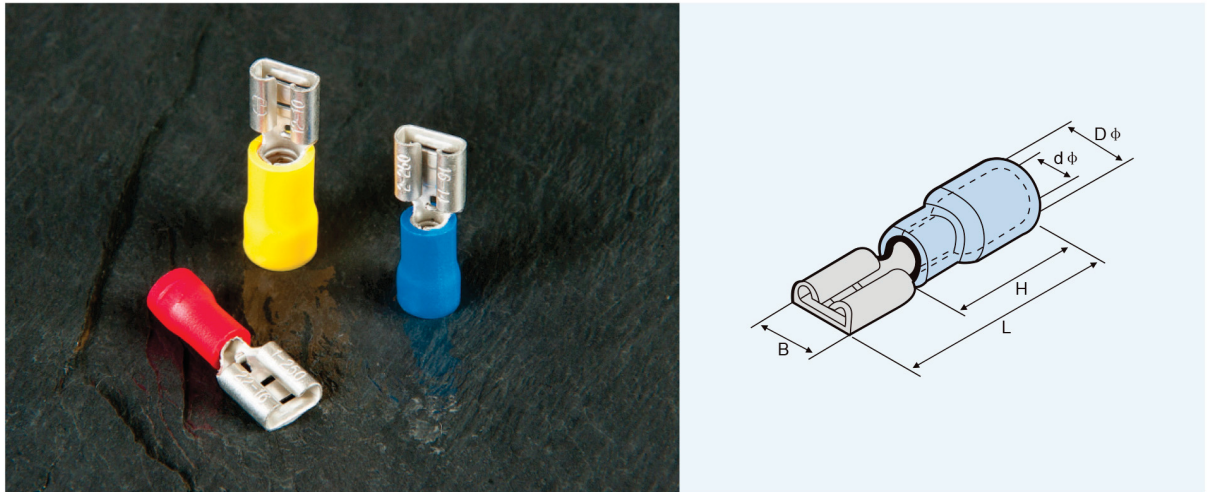
**Cable size: 1.5~2.5mm<sup>2</sup>(A.W.G.16-14) Max current: I<sub>max</sub> =15A Material: Brass Insulating material: nylon**

ITEM NO	Nema Tab (mm)	Thickness of material	Dimension (mm)					Color
			B	D φ	d φ	L	H	
FDD 2-110(5)	0.5×2.8	0.3	3.8	4.3	2.3	19.0	10.0	Blue
FDD 2-110(8)	0.8×2.8	0.3	3.8	4.3	2.3	19.0	10.0	
FDD 2-187(5)	0.5×4.75	0.35	5.6	4.3	2.3	19.0	10.0	
FDD 2-187(8)	0.8×4.75	0.35	5.6	4.3	2.3	19.0	10.0	
FDD 2-205	0.5×5.2	0.35	6.5	4.3	2.3	20.0	10.0	
FDD 2-250	0.8×6.35	0.4	7.4	4.3	2.3	21.0	10.0	
FDD 2-312	0.8×8.0	0.4	9.0	4.3	2.3	23.0	10.0	

**Cable size: 4~6mm<sup>2</sup>(A.W.G.12-10) Max current: I<sub>max</sub> =24A Material: Brass Insulating material: nylon**

ITEM NO	Nema Tab (mm)	Thickness of material	Dimension (mm)					Color
			B	D φ	d φ	L	H	
FDD 5.5-250	0.8×6.35	0.4	7.4	5.7	3.4	25.0	13.0	Yellow
FDD 5.5-375	0.8×9.5	0.5	10.9	5.7	3.4	29.6	13.0	

## Pre-Insulated Receptacles, Extra Copper Sleeve (ECS)



**Cable size: 0.5~1.5mm<sup>2</sup>(A.W.G.22-16) Max current: I<sub>max</sub> =10A Material: Brass Insulating material: nylon**

ITEM NO	Nema Tab (mm)	Thickness of material	Dimension (mm)					Color
			B	D φ	d φ	L	H	
FDD 1.25-110(5)	0.5×2.8	0.3	3.8	3.8	1.7	19.0	10.0	Red
FDD 1.25-110(8)	0.8×2.8	0.3	3.8	3.8	1.7	19.0	10.0	
FDD 1.25-187(5)	0.5×4.75	0.35	5.6	3.8	1.7	19.0	10.0	
FDD 1.25-187(8)	0.8×4.75	0.35	5.6	3.8	1.7	19.0	10.0	
FDD 1.25-205	0.5×5.2	0.35	6.5	3.8	1.7	20.0	10.0	
FDD 1.25-250	0.8×6.35	0.4	7.4	3.8	1.7	21.0	10.0	

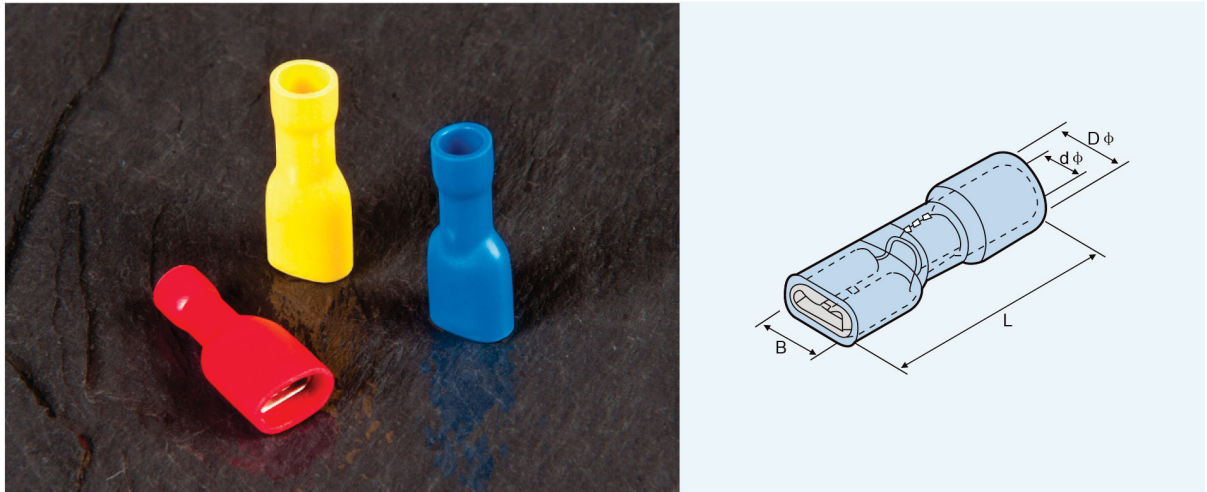
**Cable size: 1.5~2.5mm<sup>2</sup>(A.W.G.16-14) Max current: I<sub>max</sub> =15A Material: Brass Insulating material: nylon**

ITEM NO	Nema Tab (mm)	Thickness of material	Dimension (mm)					Color
			B	D φ	d φ	L	H	
FDD 2-110(5)	0.5×2.8	0.3	3.8	4.3	2.3	19.0	10.0	Blue
FDD 2-110(8)	0.8×2.8	0.3	3.8	4.3	2.3	19.0	10.0	
FDD 2-187(5)	0.5×4.75	0.35	5.6	4.3	2.3	19.0	10.0	
FDD 2-187(8)	0.8×4.75	0.35	5.6	4.3	2.3	19.0	10.0	
FDD 2-205	0.5×5.2	0.35	6.5	4.3	2.3	20.0	10.0	
FDD 2-250	0.8×6.35	0.4	7.4	4.3	2.3	21.0	10.0	
FDD 2-312	0.8×8.0	0.4	9.0	4.3	2.3	23.0	10.0	

**Cable size: 4~6mm<sup>2</sup>(A.W.G.12-10) Max current: I<sub>max</sub> =24A Material: Brass Insulating material: nylon**

ITEM NO	Nema Tab (mm)	Thickness of material	Dimension (mm)					Color
			B	D φ	d φ	L	H	
FDD 5.5-250	0.8×6.35	0.4	7.4	5.7	3.4	25.0	13.0	Yellow
FDD 5.5-375	0.8×9.5	0.5	10.9	5.7	3.4	29.6	13.0	

## Fully Insulated Receptacles, Rolled Type (RT)



**Cable size: 0.5~1.5mm<sup>2</sup>(A.W.G.22-16) Max current: I<sub>max</sub> =10A Material: Brass Insulated material: pvc**

ITEM NO	Nema Tab (mm)	Dimension (mm)			
		B	D φ	d φ	L
FDFD 1.25-187(5)	0.5×4.75	5.6	3.8	1.7	20.0
FDFD 1.25-187(8)	0.8×4.75	5.6	3.8	1.7	20.0
FDFD 1.25-250	0.8×6.35	7.4	3.8	1.7	21.5

**Cable size: 1.5~2.5mm<sup>2</sup>(A.W.G.16-14) Max current: I<sub>max</sub> =15A Material: Brass Insulated material: pvc**

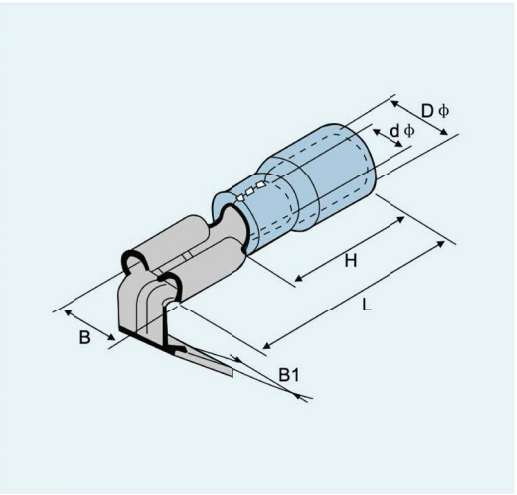
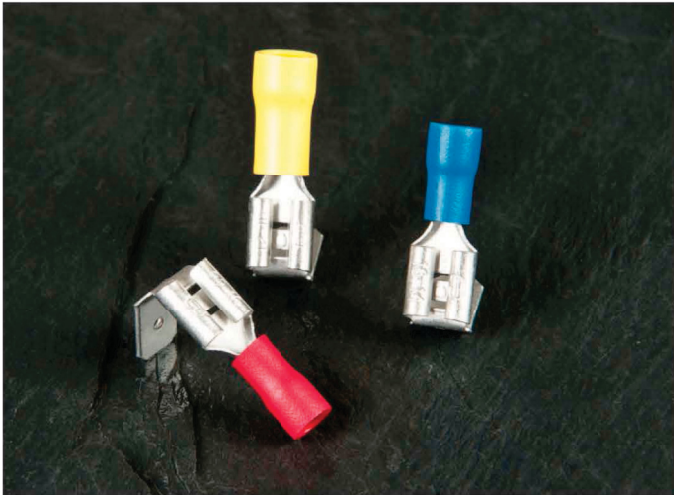
ITEM NO	Nema Tab (mm)	Dimension(mm)			
		B	D φ	d φ	L
FDFD 2-187(5)	0.5×4.75	5.6	4.3	2.3	20.0
FDFD 2-187(8)	0.8×4.75	5.6	4.3	2.3	20.0
FDFD 2-250	0.8×6.35	7.4	4.3	2.3	21.5

**Cable size: 4~6mm<sup>2</sup>(A.W.G.12-10) Max current: I<sub>max</sub> =24A Material: Brass Insulated material: pvc**

ITEM NO	Nema Tab (mm)	Dimension (mm)			
		B	D φ	d φ	L
FDFD 5.5-250	0.8×6.35	7.4	5.7	3.4	25.5



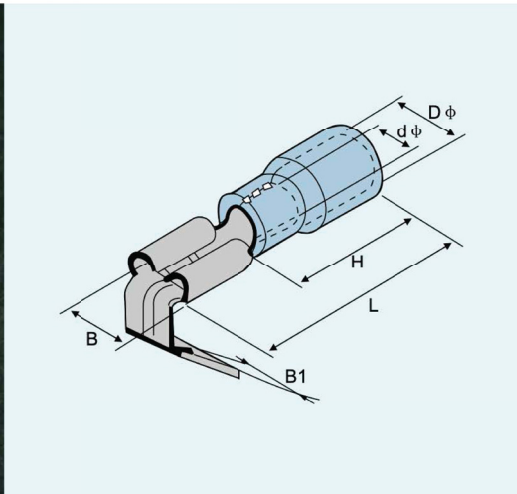
## Pre-Insulated Multiple Tabs (Piggy Back)



**Material: Brass** Rolled Type (RT) Insulated material: PVC (colors)

ITEM NO	Nema Tab (mm)	Dimension (mm)						Cable size I max
		B	B1	H	D φ	d φ	L	
PBDD 1.25-250	0.8×6.35	7.4	6.35	10.0	3.8	1.7	21.5	22-16 A.W.G 0.5-1.5mm <sup>2</sup> 10A
PBDD 2-250	0.8×6.35	7.4	6.35	10.0	4.3	2.3	21.5	16-14 A.W.G 1.5-2.5mm <sup>2</sup> 15A
PBDD 5.5-250	0.8×6.35	7.4	6.35	13.0	5.7	3.4	25.0	12-10 A.W.G 4-6mm <sup>2</sup> 24A

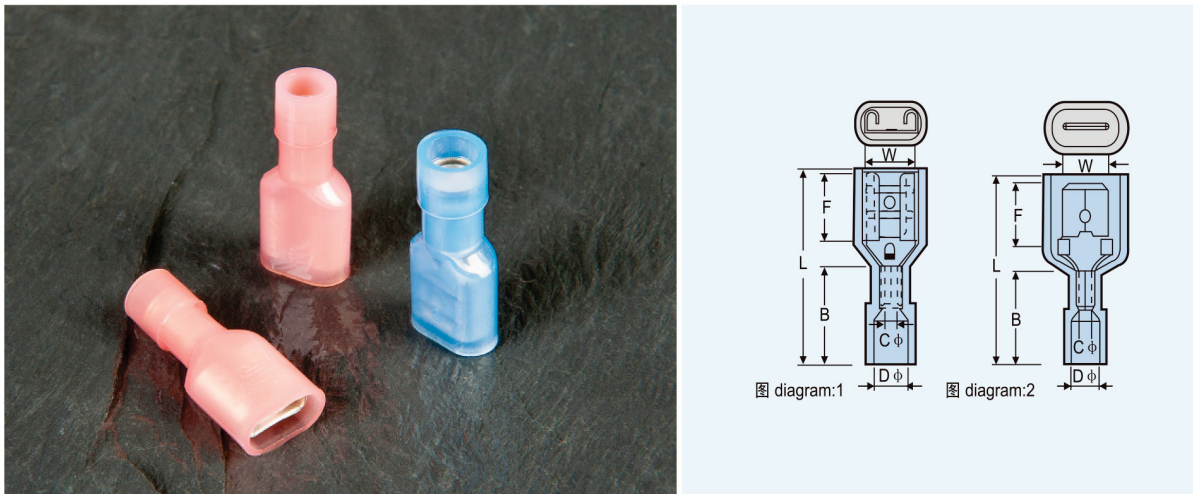
## Pre-Insulated Multiple Tabs (Piggy Back) Extra Copper Sleeve (ECS)



**Material: Brass** Rolled Type (RT) Insulated material: PVC (colors) Extra Copper Sleeve (ECS)

ITEM NO	Nema Tab (mm)	Dimension (mm)						Cable size I max
		B	B1	H	D φ	d φ	L	
PBDDD 1.25-250	0.8×6.35	7.4	6.35	10.0	3.8	1.7	21.5	22-16 A.W.G 0.5-1.5mm <sup>2</sup> 10A
PBDDD 2-250	0.8×6.35	7.4	6.35	10.0	4.3	2.3	21.5	16-14 A.W.G 1.5-2.5mm <sup>2</sup> 15A
PBDDD 5.5-250	0.8×6.35	7.4	6.35	13.0	5.7	3.4	25.0	12-10 A.W.G 4-6mm <sup>2</sup> 24A

# Fully Insulate Receptacles and Tabs, Rolled Type (RT)



Max current: 10A    Material: Brass    Insulating material: nylon    Note: FDxx= female /receptacle, MDxx=male /tab

ITEM NO	Nema Tab (mm)	Dimension (mm)						Diagram	Cable size (mm <sup>2</sup> )	Color
		W	F	L	B	D φ	C φ			
FDFN 1.25-250	0.8×6.35	6.6	7.3	22.0	11.0	4.0	1.7	1	22-16 A.W.G 0.5-1.5 mm <sup>2</sup>	Red
MDFN 1.25-250		6.35	7.7	23.0				2		

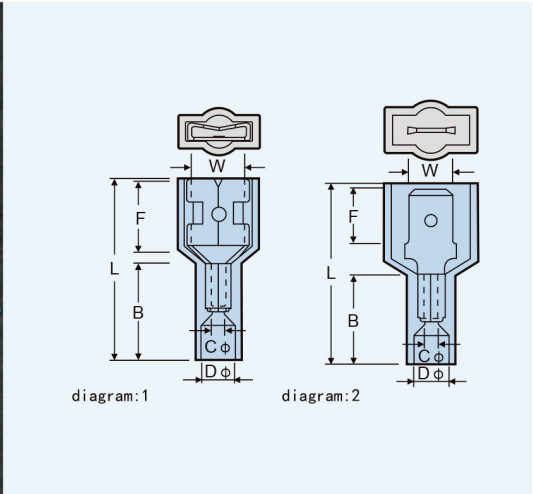
Max current: 15A    Material: Brass    Insulating material: nylon    Note: FDxx= female/receptacle, MDxx=male/tab

ITEM NO	Nema Tab (mm)	Dimension (mm)						Diagram	Cable size (mm <sup>2</sup> )	Color
		W	F	L	B	D φ	C φ			
FDFN 2-250	0.8×6.35	6.6	7.3	22.0	11.0	4.5	2.3	1	16-14 A.W.G 1.5-2.5 mm <sup>2</sup>	Blue
MDFN 2-250		6.35	7.7	24.0				2		

Max current: 24A    Material: Brass    Insulating material: nylon    Note: FDxx= female/receptacle, MDxx=male/tab

ITEM NO	Nema Tab (mm)	Dimension (mm)						Diagram	Cable size (mm <sup>2</sup> )	Color
		W	F	L	B	D φ	C φ			
FDFN 5.5-250	0.8×6.35	6.6	7.3	24.0	13.0	6.3	3.4	1	12-10 A.W.G 4-6 mm <sup>2</sup>	Yellow
MDFN 5.5-250		6.35	7.7	25.0				2		

## Fully Insulate Receptacles and Tabs



**Max current: 10A    Material: Brass    Insulating material: nylon    Note: FDxx= female /receptacle, MDxx=male /tab**

ITEM NO	Connecting spec.	Dimension (mm)						Diagram	Cable size (mm <sup>2</sup> )	Color
		W	F	L	B	D φ	C φ			
FDFNY 1.25-250	0.8×6.35	6.6	7.3	22.0	12.0	4.5	1.7	1	22-16 A.W.G 0.5-1.5 mm <sup>2</sup>	Red
MDFNY 1.25-250		6.35	7.7	23.0	11.0	4.5	1.7	2		

**Max current: 15A    Material: Brass    Insulating material: nylon    Note: FDxx= female /receptacle, MDxx=male /tab**

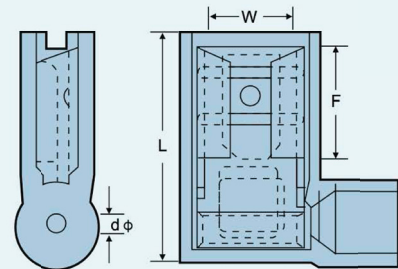
ITEM NO	Connecting spec.	Dimension (mm)						Diagram	Cable size (mm <sup>2</sup> )	Color
		W	F	L	B	D φ	C φ			
FDFNY 2-250	0.8×6.35	6.6	7.3	23.0	12.0	4.5	2.3	1	16-14 A.W.G 1.5-2.5 mm <sup>2</sup>	Blue
MDFNY 2-250		6.35	7.7	24.0	11.0	4.5	2.3	2		

**Max current: 24A    Material: Brass    Insulating material: nylon    Note: FDxx= female /receptacle, MDxx=male /tab**

ITEM NO	Connecting spec.	Dimension (mm)						Diagram	Cable size (mm <sup>2</sup> )	Color
		W	F	L	B	D φ	C φ			
FDFNY 5.5-250	0.8×6.35	6.6	7.3	23.0	12.0	5.0	3.4	1	12-10 A.W.G 4-6 mm <sup>2</sup>	Yellow
MDFNY 5.5-250		6.35	7.7	24.0	11.0	5.0	3.4	2		



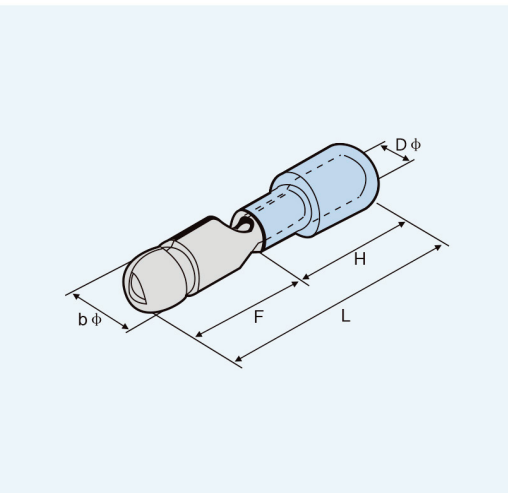
## Fully Insulated Receptacles, Flanged 90°



Max current: 22-18A.W.G: 10A, 16-14A.W.G: 15A, 12-10A.W.G: 24A  
 Max voltage: 105°C, 600V Material: Copper Insulating material: Nylon Thickness: 0.4mm Rolled Type (RT)

ITEM NO	Nema Tab (mm)	Dimension (mm)				Cable size (mm <sup>2</sup> )
		W	F	L	d φ	
FLDNY 1.25-250	08×6.35	6.6	7.6	16.0	1.7	22-18A.W.G 0.5-1.5mm
FLDNY 2-250	08×6.35	6.6	7.6	16.0	2.3	16-14A.W.G 1.5-2.5mm
FLDNY 5.5-250	08×6.35	6.6	7.6	16.0	3.4	12-10A.W.G 4-6mm

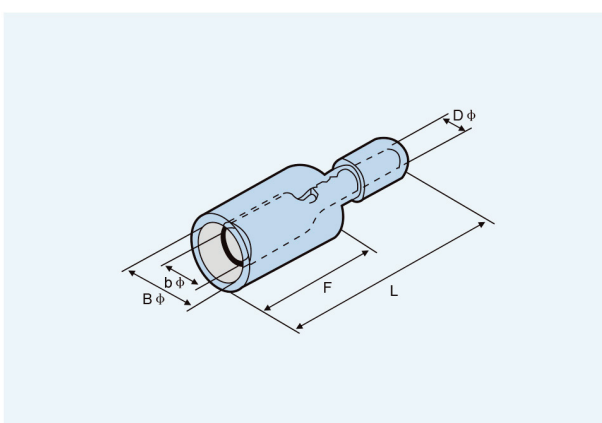
## Pre-Insulated Bullets



Material: Brass Max current:  $I_{max}=10-24A$  Insulated material: pvc

ITEM NO	Thickness of material	Dimension (mm)					Cable size $I_{max}$	Color
		$b\phi$	F	$D\phi$	H	L		
MPD 125-156	0.4	4.0	11.0	1.7	10.0	21.0	22-16 A.W.G 0.5-1.5mm <sup>2</sup> 10A	Red
MPD 2-156	0.4	4.0	11.0	2.3	10.0	21.0	16-14 A.W.G 1.5-2.5mm <sup>2</sup> 15A	Blue
MPD 2-195	0.4	5.0	11.0	2.3	10.0	21.0		
MPD 5.5-195	0.4	5.0	12.0	3.4	13.0	25.0	12-10 A.W.G 4-6mm <sup>2</sup> 24A	Yellow

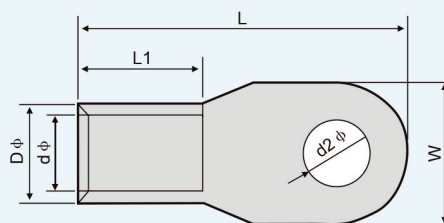
## Fully Insulated Sockets



Material: Brass Max current:  $I_{max}=10-24A$  Insulated material: nylon

ITEM NO	Thickness of material	Dimension (mm)					Cable size $I_{max}$	Color
		$b\phi$	F	$D\phi$	H	L		
FRD 125-156	0.4	4.0	6.3	1.7	13.0	24.5	22-16 A.W.G 0.5-1.5mm <sup>2</sup> 10A	Red
FRD 2-156	0.4	4.0	6.3	2.3	14.0	24.5	16-14 A.W.G 1.5-2.5mm <sup>2</sup> 15A	Blue
FRD 2-195	0.4	5.0	7.0	2.3	14.0	25.5		
FRD 5.5-195	0.4	5.0	7.0	3.4	14.0	29.5	12-10 A.W.G 4-6mm <sup>2</sup> 24A	Yellow

## Tube Terminals

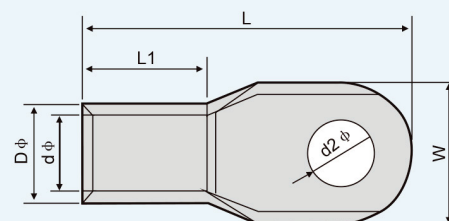


Material: Copper

ITEM NO	Screw dia. d2 φ (mm)		Dimension (mm)						Cable size (mm)
			W	φ d	D	L	L1	S	
SC1.5-5	#10	5.3	8	1.8	3.3	16	-	-	1.5
SC2.5-4	#8	4.3	8	2.4	4	19.6	8	-	2.5
SC2.5-5	#10	5.3	8	2.4	4	19.6	8	-	2.5
SC2.5-6	1/4	6.5	10	2.4	4	21	8	-	2.5
SC4-4	#8	4.3	10	3.1	4.8	21	-	-	4
SC4-5	#10	5.3	10	3.1	4.8	21	-	-	4
SC4-6	1/4	6.5	10	3.1	4.8	21	-	-	4
SC6-4	#8	4.3	10	3.8	5.5	25.5	-	-	6
SC6-5	#10	5.3	10	3.8	5.5	25.5	-	-	6
SC6-6	1/4	6.5	10	3.8	5.5	25.5	-	-	6
SC10-6	1/4	6.5	12.6	4.5	6.2	27	10	1.1	10
SC10-8	5/16	8.4	12.6	4.5	6.2	27	10	1.1	10
SC16-6	1/4	6.5	12.6	5.5	7.2	29.5	10.5	1.3	16
SC16-8	5/16	8.4	12.6	5.5	7.2	29.5	10.5	1.3	16
SC25-6	1/4	6.5	15	7	9	33	12	1.65	25
SC25-8	5/16	8.4	15	7	9	33	12	1.65	25
SC25-10	3/8	10.5	15	7	9	33	12	1.65	25
SC35-6	1/4	6.5	15.2	8.2	10.6	38	14.2	2.5	35
SC35-8	5/16	8.4	15.2	8.2	10.6	38	14.2	2.5	35
SC35-10	3/8	10.5	15.2	8.2	10.6	38	14.2	2.5	35
SC50-8	5/16	8.4	18.5	10	13	44.5	18	2.9	50
SC50-10	3/8	10.5	18.5	10	13	44.5	18	2.9	50
SC50-12	1/2	13	18.5	10	13	44.5	18	2.9	50
SC70-8	5/16	8.4	21.4	11.5	15	54.2	20.4	3.5	70
SC70-10	3/8	10.5	21.4	11.5	15	54.2	20.4	3.5	70
SC70-12	1/2	13	21.4	11.5	15	54.2	20.4	3.5	70
SC95-10	3/8	10.5	25.5	13.5	17.4	59	23.4	3.9	95
SC95-12	1/2	13	25.5	13.5	17.4	59	23.4	3.9	95
SC120-10	3/8	10.5	28.3	15.5	19.9	66.7	24.6	4.5	120
SC120-12	1/2	13	28.3	15.5	19.9	66.7	24.6	4.5	120
SC120-14	9/16	15	28.3	15.5	19.9	66.7	24.6	4.5	120
SC120-16	5/8	17	28.3	15.5	19.9	66.7	24.6	4.5	120
SC150-12	1/2	13	31	17	21.7	74.5	29.5	4.5	150



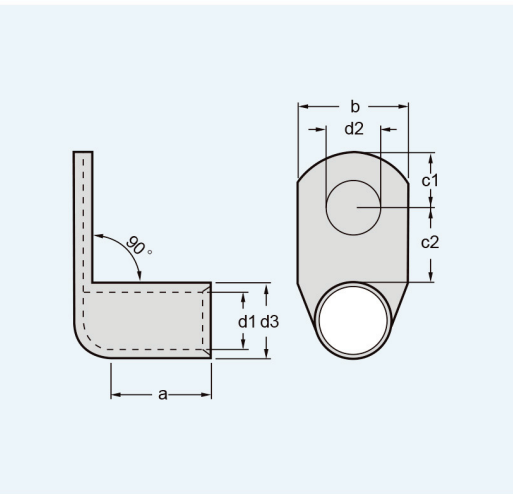
## Tube Terminals



**Material: Copper**

ITEM NO	Screw dia. d2 φ (mm)		Dimension (mm)						Cable size (mm <sup>2</sup> )
			W	φ d	D	L	L1	S	
SC150-14	9/16	15	31	17	21.7	74.5	29.5	4.7	150
SC150-16	5/8	17	31	17	21.7	74.5	29.5	4.7	150
SC185-12	1/2	13	34.2	19	24	81.4	32.5	5	185
SC185-14	9/16	15	34.2	19	24	81.4	32.5	5	185
SC185-16	5/8	17	34.2	19	24	81.4	32.5	5	185
SC240-14	9/16	15	39	21.5	27	94	35.5	5.5	240
SC240-16	5/8	17	39	21.5	27	94	35.5	5.5	240
SC240-18	11/16	19	39	21.5	27	94	35.5	5.5	240
SC300-14	9/16	15	44	24.5	31	103.2	42	6.5	300
SC300-16	5/8	17	44	24.5	31	103.2	42	6.5	300
SC300-18	11/16	19	44	24.5	31	103.2	42	6.5	300
SC300-20	3/4	21	44	24.5	31	103.2	42	6.5	300
SC300-22	7/8	23	44	24.5	31	103.2	42	6.5	300
SC300-24	15/16	25	44	24.5	31	103.2	42	6.5	300
SC400-14	9/16	15	51	27.5	35.5	120.2	47	8	400
SC400-16	5/8	17	51	27.5	35.5	120.2	47	8	400
SC400-18	11/16	19	51	27.5	35.5	120.2	47	8	400
SC400-20	3/4	21	51	27.5	35.5	120.2	47	8	400
SC400-22	7/3	23	51	27.5	35.5	120.2	47	8	400
SC400-24	15/16	25	51	27.5	35.5	120.2	47	8	400
SC500-14	9/16	15	56	31	40	127	47.5	9	500
SC500-16	5/8	17	56	31	40	127	47.5	9	500
SC500-18	11/16	19	56	31	40	127	47.5	9	500
SC500-20	3/4	21	56	31	40	127	47.5	9	500
SC500-22	7/8	23	56	31	40	127	47.5	9	500
SC500-24	15/16	25	56	31	40	127	47.5	9	500
SC630-14	9/16	15	63	34.5	44.5	140	56	10	630
SC630-16	5/3	17	63	34.5	44.5	140	56	10	630
SC630-18	11/16	19	63	34.5	44.5	140	56	10	630
SC630-20	3/4	21	63	34.5	44.5	140	56	10	630
SC630-22	7/3	23	63	34.5	44.5	140	56	10	630
SC630-34	11/16	25	63	34.5	44.5	140	56	10	630

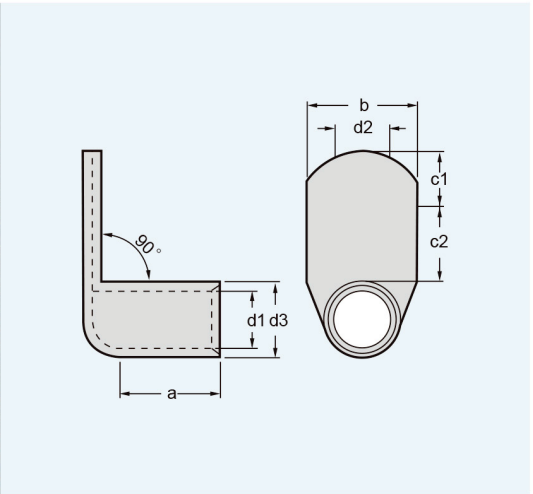
# Tube Terminals 90° degrees



Material: Copper

ITEM NO	WIRE RANGE A.W.G. mm	Dimension (mm)							Q' TY BOX
		A	B	C <sub>1</sub>	C <sub>2</sub>	D <sub>1</sub>	D <sub>2</sub>	D <sub>3</sub>	
SC6-6-90D	12-20 A.W.G. 6 mm <sup>2</sup>	9	12	7.5	10	-	-	-	500
SC6-8-90D		9	14	10	13	-	-	-	500
SC6-10-90D		9	17	12	15	-	-	-	500
SC10-6-90D	8 A.W.G. 10 mm <sup>2</sup>	10	12	6.5	10	-	-	-	500
SC10-8-90D		10	15	10	13	-	-	-	500
SC10-10-90D		10	17	12	15	-	-	-	500
SC16-6-90D	6 A.W.G. 16 mm <sup>2</sup>	13	12	7.5	11	-	-	-	250
SC16-8-90D		13	15	10	13	-	-	-	250
SC16-10-90D		13	17	12	15	-	-	-	250
SC25-6-90D	4 A.W.G. 25 mm <sup>2</sup>	15	14	7.5	11	-	-	-	200
SC25-8-90D		15	16	10	13	-	-	-	200
SC25-10-90D		15	10	12	15	-	-	-	200
SC25-12-90D		15	19	13	18	-	-	-	200
SC35-8-90D	2 A.W.G. 35 mm <sup>2</sup>	17	17	10	13	-	-	-	200
SC35-10-90D		17	19	12	15	-	-	-	200
SC35-12-90D		17	21	13	18	-	-	-	200
SC50-8-90D	1/0 A.W.G. 50 mm <sup>2</sup>	19	20	10	13	-	-	-	100
SC50-10-90D		19	20	12	16	-	-	-	100
SC50-12-90D		19	23	13	18	-	-	-	100
SC70-8-90D	2/0 A.W.G. 70 mm <sup>2</sup>	21	23	10	14	-	-	-	50
SC70-10-90D		21	23	12	16	-	-	-	50
SC70-12-90D		21	23	13	18	-	-	-	50

## Tube Terminals 90° degrees

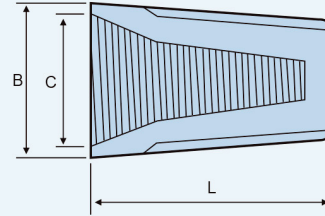


**Material: Copper**

ITEM NO	WIRE RANGE A.W.G. mm	Dimension (mm)							Q' TY BOX
		A	B	C <sub>1</sub>	C <sub>2</sub>	D <sub>1</sub>	D <sub>2</sub>	D <sub>3</sub>	
SC95-8-90D	3/0 A.W.G. 95 mm <sup>2</sup>	25	26	12	14	-	-	-	50
SC95-10-90D		25	26	12	17	-	-	-	50
SC95-12-90D		25	26	13	18	-	-	-	50
SC120-12-90D	4/0 A.W.G. 120 mm <sup>2</sup>	26	28	14	18	-	-	-	25
SC120-16-90D		26	30	16	22	-	-	-	25
SC150-12-90D	250/300 MCM 150 mm <sup>2</sup>	30	31	15	18	-	-	-	25
SC150-16-90D		30	31	16	22	-	-	-	25
SC185-16-90D	300/350 MCM 185 mm <sup>2</sup>	30	35	18	22	-	-	-	10
SC185-20-90D		30	39	22	24	-	-	-	10
SC240-16-90D	400 MCM 240 mm <sup>2</sup>	35	39	21.5	22	-	-	-	10
SC240-20-90D		35	39	21.5	24	-	-	-	10
SC300-16-90D	500 MCM 300 mm <sup>2</sup>	44	43	24	24	-	-	-	5
SC300-20-90D		44	43	24	24	-	-	-	5
SC400-16-90D	600/750 MCM 400 mm <sup>2</sup>	44	49	24	24	-	-	-	5
SC400-20-90D		44	49	24	24	-	-	-	5



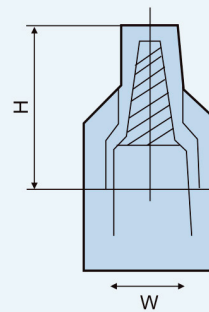
## Screw On Wire Connectors



**Material:** pvc, with spring inside.  
**Usage:** Peel wire coat, insert the wire in, then tighten.

ITEM NO	Cable range	Dimension (mm)			Color
		B	C	L	
SP1	min 0.75×1+0.5×1 max 1.5×2	8.5	6.7	15.0	Gray
SP2	min 0.75×3 max 1.5×3	10.1	7.4	17.5	Blue
SP3	min 0.75×3 max 1.5×3+1×1	12.6	9.9	22.1	Orange
SP4	min 0.25×1+0.75×1 max 2.5×4+0.75×1	13.7	11.0	24.5	Yellow
SP6	min 0.25×2 max 6×2+4×2	16.0	13.0	26.5	Red

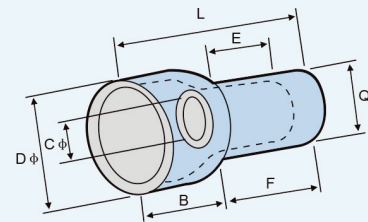
## Double Wing Screw On Wire Connectors



**Material:** pvc, with spring inside.  
**Usage:** Peel wire coat, insert the wire in, then tighten.

ITEM NO	H(mm)	W(mm)	D(mm)	Application wire	Color
HP11	25.4	18	10	18-10AWG	Yellow
HP12	27.7	17.8	10	22-8AWG	Tan
HP13	30.5	23.1	12	18-8AWG	Red
HP15	32.6	25.5	14.6	18-8AWG	Gray
HP17	39.5	31.7	17.8	14-6AWG	Blue

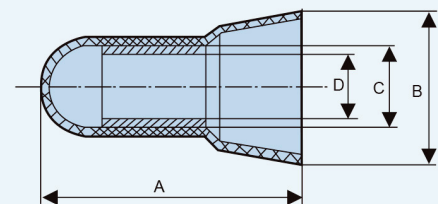
## Close End Connectors



Material: copper Insulating material: pvc

ITEM NO	Cable size		Dimension (mm)							Color
	A.W.G.	mm <sup>2</sup>	C φ	E	L	F	B	D φ	Q	
CEF 1.25	22-16	0.5-1.5	2.55	7.0	15.3	6.3	9.0	9.0	5.0	Red
CEF 2	16-14	1.5-2.5	3.1	7.0	18.3	8.3	10.0	9.1	5.7	Blue
CEF 5.5	12-10	4-6	5.3	7.0	20.0	10.0	10.0	12.0	8.0	Yellow

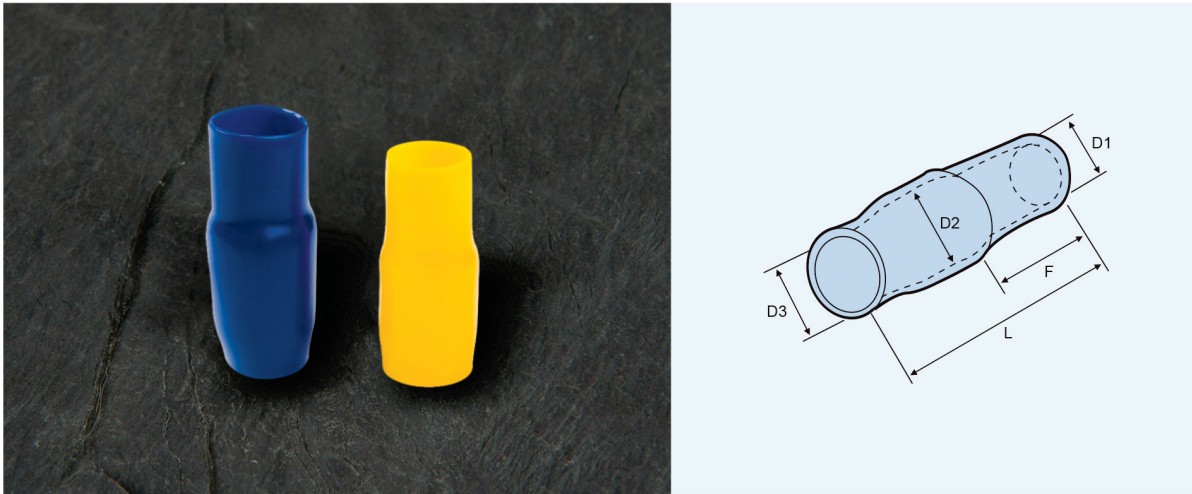
## Close End Connectors



Material: copper Insulating material: nylon

ITEM NO	A(mm)	W		D(mm)	Wire Specification	
		B(mm)	C(mm)			
CD-φ3	18	9	3.6	2.8	22-16 A.W.G	1.25mm <sup>2</sup>
CD-φ4	21	9.5	3.9	3	16-14 A.W.G	2mm <sup>2</sup>
CD-φ5	22.5	10.5	4.8	4	12-10 A.W.G	5.5mm <sup>2</sup>
CD-φ6	24	12	5.6	4.8	8 A.W.G	8mm <sup>2</sup>
CD-φ7	25.5	13	6.5	5.5	8-6 A.W.G	10mm <sup>2</sup>
CD-φ8	25.5	14	7.5	6	6 A.W.G	13mm <sup>2</sup>
CD-φ10	29.5	15.5	9.3	7.8	4 A.W.G	16mm <sup>2</sup>

# Wire End Cap Connectors



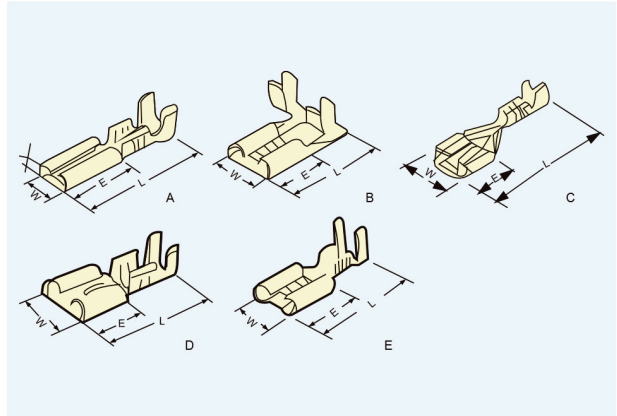
Material: PVC Soft Temp: 105°C Characteristic: fire retardant Colors: Red, White, Blue, Yellow, Black

ITEM NO	Dimension (mm)				
	D1	D2	D3	L	F
V 1.25	2.8	3.3	3.1	13.0	7.0
V 2	3.3	4.5	3.7	15.0	7.0
V 3.5	4.2	5.7	4.1	20.0	8.0
V 5.5	4.8	5.7	5.2	20.0	8.0
V 8	6.2	7.2	6.2	20.0	9.0
V 14	7.5	10.0	8.0	27.0	11.0
V 22	10.5	12.0	9.5	30.0	15.0
V 38	12.5	14.0	11.8	36.0	16.5
V 60	15.0	16.8	13.5	39.0	19.0
V 70	16.0	17.5	14.5	43.0	20.0
V 80	17.0	19.0	16.0	47.0	22.0
V 100	19.0	22.0	18.0	54.0	24.0
V 125	21.0	24.0	20.0	57.0	25.0
V 150	23.0	24.5	22.0	65.0	30.0
V 200	27.0	32.0	24.0	65.0	30.0
V 240	29.0	38.0	26.5	77.0	39.0
V 325	29.0	38.0	29.0	77.0	40.0
V 400	42.0	45.0	36.0	85.0	41.0
V 500	46.0	48.0	40.0	88.0	42.0
V 630	52.0	54.0	44.0	92.0	47.0



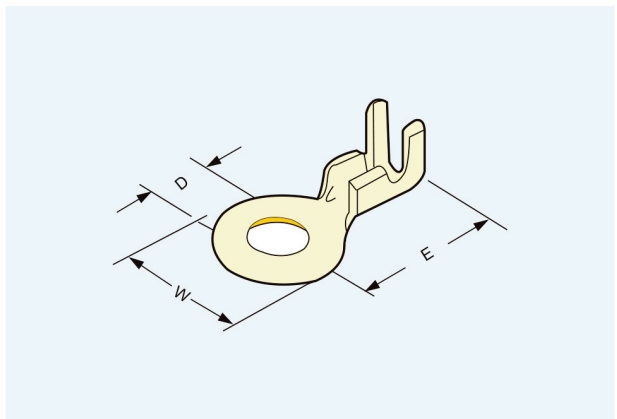
## AUTOMOTIVE CONNECTORS & TERMINALS

### Un-Insulated Open Receptacles



ITEM NO	Fig	Material		Dimension (mm)			Thickness (mm)
				W	L	E	
DJ621-E2.8×0.5B	A	Brass	1.0-1.5	4.1	16.0	6.6	0.3
DJ621-D2.8×0.5A	A		0.5-0.8	3.7	15.1	6.3	0.25
DJ621-E4.8×0.5A	A		0.5-0.8	6.0	13.8		0.3
DJ625-4.8×0.8A	B		0.5-0.8	6.4	12.0	6.2	0.4
DJ621-5A	C		0.5-0.8	5.2	17	5.5	0.3
DJ621-5B	C		1.0-1.5	5.2	17	5.5	0.3
DJ622-A6.3B	D		1.0-1.5	7.7	18.5	7.5	0.4
DJ622-D6.3B	E		1.0-1.5	7.7	17.5	7.5	0.4

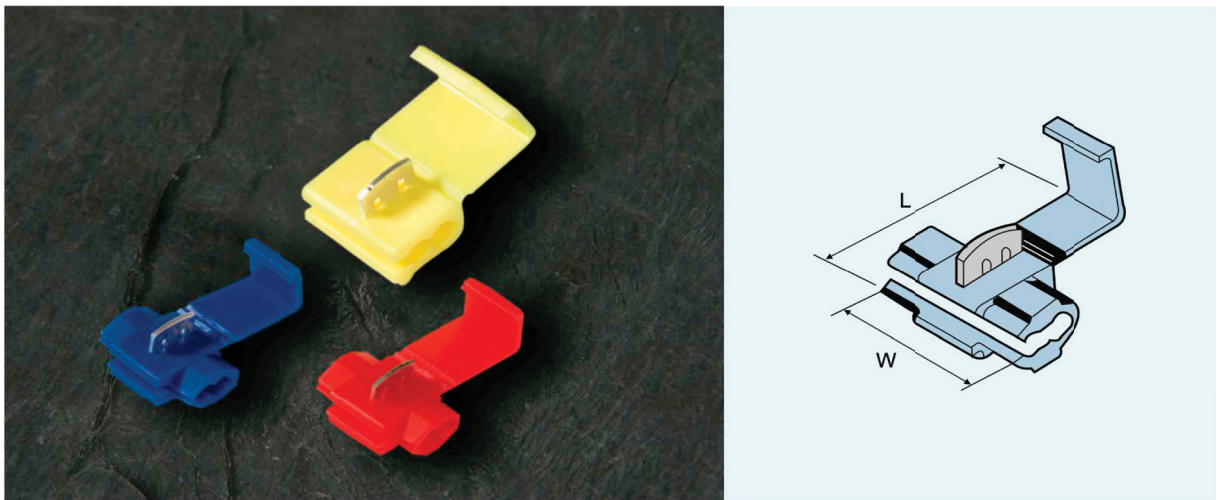
### Un-Insulated Open Ring Terminals



ITEM NO	Material		Dimension (mm)			Thickness (mm)
			W	L	E	
Y3-2.5	Brass	0.5-2.5	3.2	9.0	17.0	0.6
DJ431-3A		0.5-0.8	3.5	10.0	17.0	0.5
DJ431-5A		0.5-0.8	5.2	12.0	17.0	0.5
DJ431-6A		0.5-0.8	6.2	15.0	17.0	0.5
DJ431-8B		1.0-1.5	8.2	19.0	19.0	0.8
DJ431-10B		1.0-1.5	10.5			0.8

## AUTOMOTIVE CONNECTORS & TERMINALS

### Quick Splice Connectors (M)



**Max current: 22-18 A.W.G. 10A, 18-14 A.W.G 15A, 12-10 A.W.G 24A**  
**Max voltage: 105°C, 600V Material: Brass Insulating material: P.P / PVC**

ITEM NO	Dimension (mm)		Cable size (mm <sup>2</sup> )		Color
	W	L			
878100	20.0	27.0	22-18 A.W.G	0.5-1.0mm <sup>2</sup>	Red
878101	20.0	27.0	18-14 A.W.G	0.75-2.5mm <sup>2</sup>	Blue
878101	20.0	27.0	18-14 A.W.G	0.75-2.5mm <sup>2</sup>	White
878201	20.5	34.5	12-10 A.W.G	4-6mm <sup>2</sup>	Yellow

# Terminals and Connectors / Assortment Boxes



## N-50 / N-100 / E-50 / E-100 / TE-50 / TE-100

PLASTIC BOX PACKING
AVAILABLE FOR ANY
KIND OF TERMINALS AND CONNECTORS
50 PCS. OR 100 PCS. / BOX



## N-175 (175 PCS. - 18 TYPE ASSORTMENT)

ITEM.NO.	QTY	ITEM.NO.	QTY	ITEM.NO.	QTY
RV1.25-3	15	RV5.5-5	5	BV2	10
RVS1.25-4	10	RV5.5-6	5	BV5.5	5
RV1.25-5	10	SV1.25-3	10	MDD1.25-250	10
RV2-3	15	SVS1.25-4	10	MDD2-250	10
RVS2-4	10	SVL2-4	10	FDD1.25-250	10
RVL2-5	10	BV1.25	10	FDD2-250	10



## N-300 (300 PCS. - 18 TYPE ASSORTMENT)

ITEM.NO.	QTY	ITEM.NO.	QTY	ITEM.NO.	QTY
RV1.25-3	25	RV5.5-5	5	BV2	10
RVS1.25-4	25	RV5.5-6	5	BV5.5	5
RV1.25-5	25	SV1.25-3	20	MDD1.25-250	20
RV2-3	15	SVS1.25-4	20	MDD2-250	20
RVS2-4	20	SVL2-4	20	FDD1.25-250	20
RVL2-5	10	BV1.25	10	FDD2-250	20



## N-760 (760 PCS. - 18 TYPE ASSORTMENT)

ITEM.NO.	QTY	ITEM.NO.	QTY	ITEM.NO.	QTY
RV1.25-3	80	RV5.5-5	40	BV2	20
RVS1.25-4	80	RV5.5-6	40	BV5.5	40
RV1.25-5	80	SV1.25-3	80	MDD1.25-250	40
RV2-3	80	SVS1.25-4	80	MDD2-250	40
RVS2-4	10	SVL2-4	10	FDD1.25-250	10
RVL2-5	10	BV1.25	10	FDD2-250	10

**NOTE BOX: N - Connectors, E - End Terminals, TE - Twin End Terminals  
TYPE: RV - Ring Terminals, SV - Fork Terminals, BV - Parallel Connectors,  
MDD - Tabs, FDD - Receptacles**

**OBS: Can be customized on request! \***



## Terminals and Connectors / Assortment Boxes



**N-1200 (1200 PCS. - 18TYPE ASSORTMENT)**

ITEM.NO.	QTY	ITEM.NO.	QTY	ITEM.NO.	QTY
RV1.25-3	80	RV5.5-5	40	BV2	50
RVS1.25-4	80	RV5.5-6	40	BV5.5	40
RV1.25-5	80	SV1.25-3	80	MDD1.25-250	70
RV2-3	80	SVS1.25-4	80	MDD2-250	70
RVS2-4	80	SVL2-4	80	FDD1.25-250	70
RVL2-5	60	BV1.25	50	FDD2-250	70



**TE-250 (250 PCS. / 5 TYPE ASSORTMENT)**

ITEM.NO.	QTY	Color
TE0508	50	White
TE7508	50	Grey
TE1008	50	Red
TE1508	50	Black
TE2510	50	Blue



**E-100 / E-400 (100 / 400 PCS. - 4 / 5 TYPE ASSORTMENT)**

ITEM.NO.	QTY	Color
E4009	50	Grey
E6012	20	Yellow
E10-12	20	Red
E16-12	10	Blue

ITEM.NO.	QTY	Color
E0508	50	White
E7508	100	Grey
E1008	100	Red
E1508	100	Black
E2508	50	Blue



**ETE-775 (775 PCS. / 12 TYPE ASSORTMENT)**

ITEM.NO.	QTY	Color	ITEM.NO.	QTY	Color
E0508	100	White	E6012	25	Yellow
E7508	100	Grey	TE0508	50	White
E1008	100	Red	TE7508	50	Grey
E1508	100	Black	TE1008	50	Red
E2508	100	Blue	TE1508	25	Black
E4009	50	Grey	TE2508	25	Blue

**NOTE BOX:** N - Connectors, E - End Terminals, TE - Twin End Terminals  
**TYPE:** RV - Ring Terminals, SV - Fork Terminals, BV - Parallel Connectors,  
MDD - Tabs, FDD - Receptacles

**OBS:** Can be customized on request! \*



**POSDER®**

Distributor in EU (Denmark and Nordic)

---

**TEK+ Electronic Aps**

Tlf. +45 50304247

[info@tek-tools.dk](mailto:info@tek-tools.dk)

[www.tek-tools.dk](http://www.tek-tools.dk)

---

★All data are subject to change without a proper notification, if you are in doubt please contact the manufacture or supplier for correct information about products